

REVER WALL 2.1

with plug

01-Aug.-2017

REVER WALL 2.1

LED C35 or P25 max. 6W | E14 | 220-240VAC | 50-60Hz | Dimmable
| Plating steel (C/G/N/P/W/B) | Polycarbonate (TG/SG/CW/AY/HR)

CE IP20

DIFFUSER COLOUR

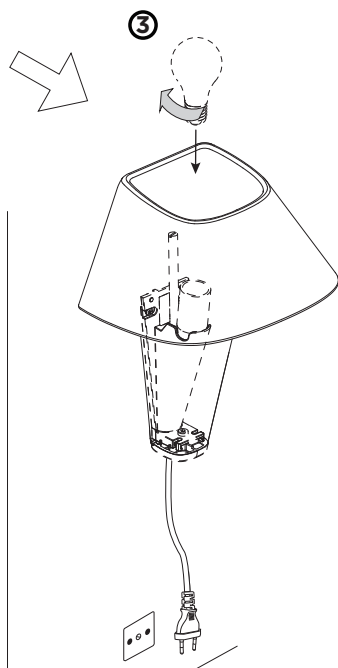
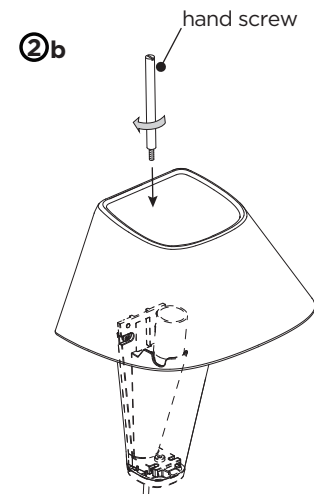
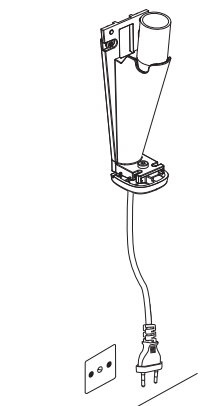
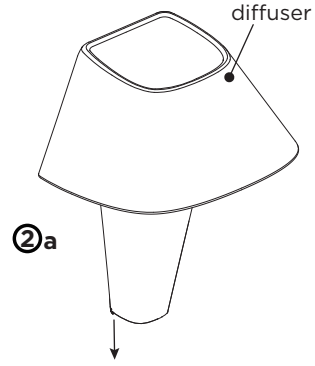
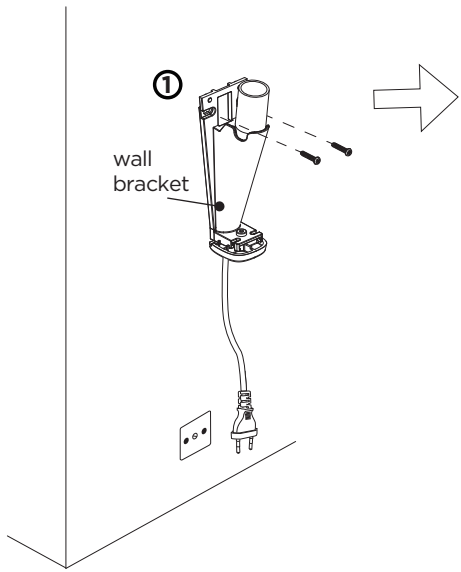
	tea green	6512CTG_
	smoke grey	6512CSG_
	champ. white	6512CCW_
	amber yellow	6512CAY_
	hip rose	6512CHR_

MOUNTING DETAIL COLOUR

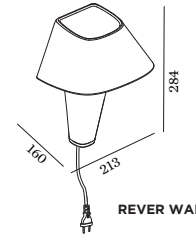
CHROME	C
BLACK CHROME	N
LIGHT GOLD	G
PINK COPPER	P
WHITE	W
BLACK	B

PLUG&CABLE COLOUR

WHITE	W
BLACK	B



DIMENSIONS



REVER WALL 2.1

MOUNTING INSTRUCTION

- ① Mount the bracket on the wall with two screws.
- ② Mount the diffuser.
 - a Use a diffuser to cover the bracket.
 - b Then fix the diffuser onto the bracket with the hand screw.
- ③ Fix a bulb into the diffuser, bulb is not included.
Applies only to **LEADING EDGE LED DIMMABLE BULB.**



WEVER & DUCRÉ
LIGHTING

www.weverducre.com

Wever & Ducre bvba Kwadestraat 153 bus 2.1 8800 Roeselare

**INSTALLATION
INSTRUCTIONS**