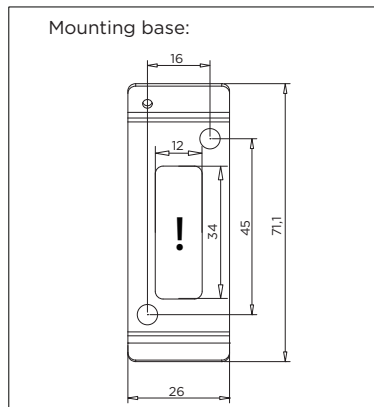
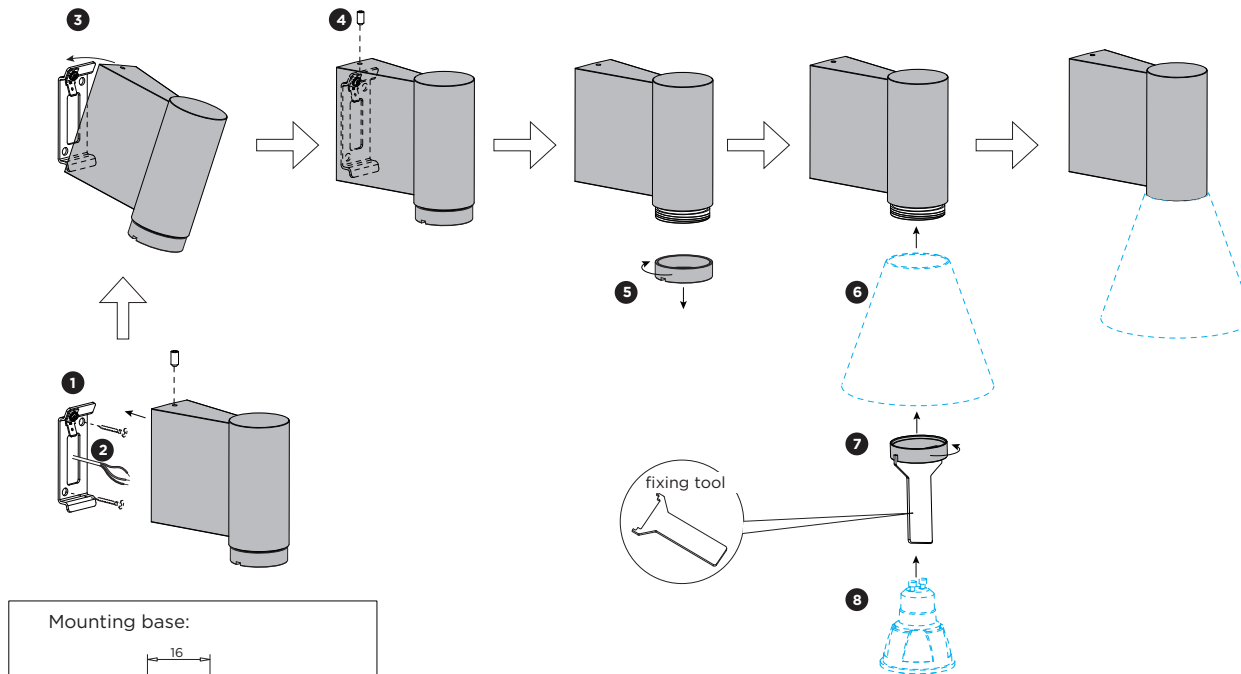
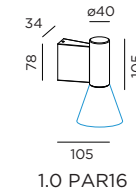


ODREY WALL SURFACE 1.0

INSTALLATION INSTRUCTIONS | MAY 2020



DIMENSIONS

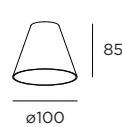


MOUNTING INSTRUCTION

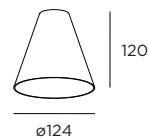
- Remove the mounting base from the luminaire by loosening the socket screw and mount it on the wall with screws (screws are not included).
- POWER CONNECTION**
Connect to 220-240V.
Connect the earth cable.
- Attach the luminaire to the mounting base with the lower side first and tilt towards the wall as shown.
- Fixate the luminaire on the base with the socket screw.
- Screw the lock ring out the luminaire.
- Put a cover on.
- Screw back the lock ring.
- Mount a lamp to the luminaire.

SHADES

shade 3.0



shade 4.0



shade 5.0

