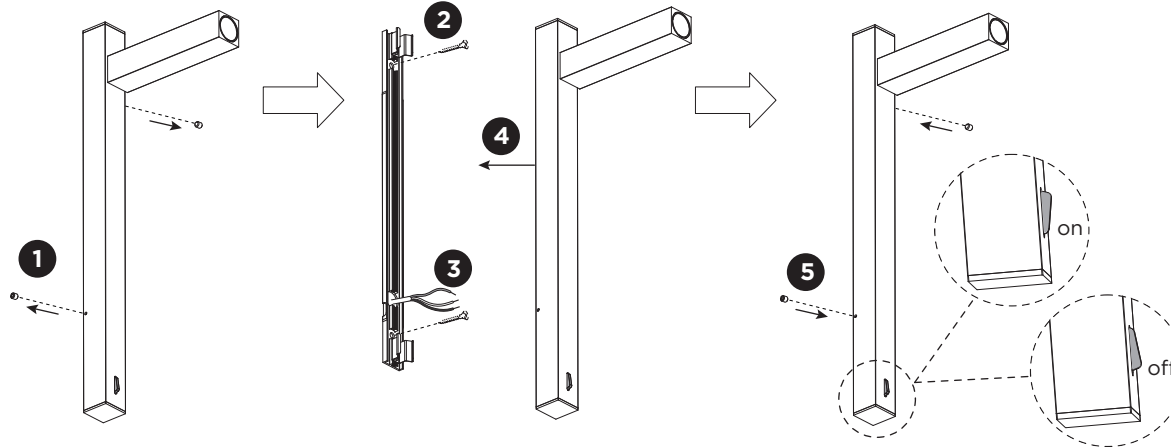
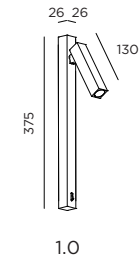


MICK snooze

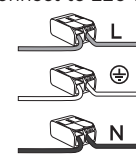
INSTALLATION INSTRUCTIONS | JULY 2020

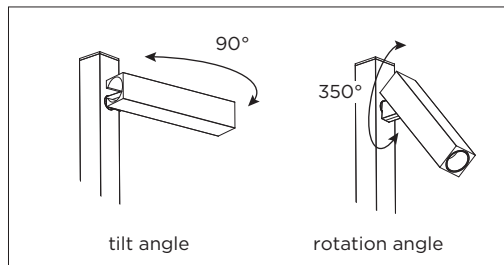


DIMENSIONS



MOUNTING INSTRUCTION

- 1** Loosen the two socket screws from the fixture.
- 2** Remove the mounting base from the fixture and mount it on the wall with screws (screws are not included).
- 3** POWER CONNECTION
Connect to 220-240V.

- 4** Attach the fixture to the mounting base by sliding it over completely against the wall.
- 5** Lock the fixture on the mounting base with the two socket screws.



Mounting base:

