

# LEENS

28-Jun-2019

## 1.0

**LED** 8W | 220-240VAC | 50-60Hz | COB 3-step | incl. PS | phase-cut dim

CE IP20 960°C 0,3m

3000K | >90CRI | 300lm

white texture  
aluminium brushed  
black texture

311174W5  
311174L5  
311174B5

## 2.0

**LED** 2x4W | 220-240VAC | 50-60Hz | COB 3-step | incl. PS | phase-cut dim

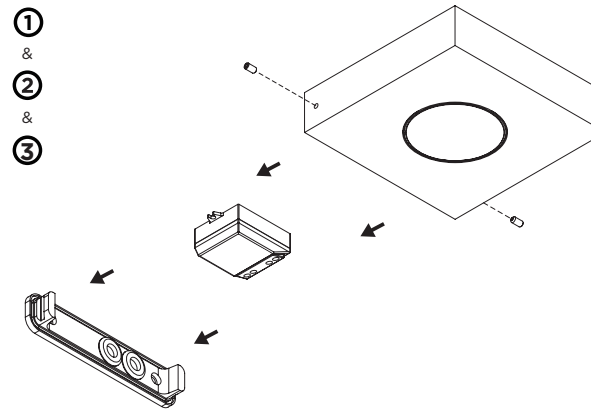
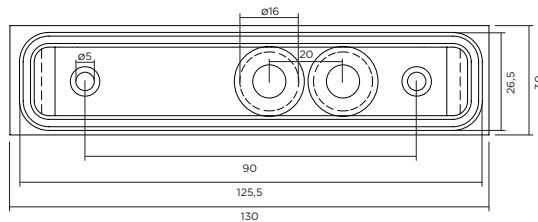
CE IP20 960°C 0,3m

3000K | >90CRI | 2x150lm

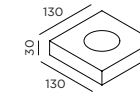
white texture  
aluminium brushed  
black texture

311274W5  
311274L5  
311274B5

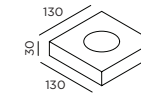
back plate dimensions



## DIMENSIONS



LEENS 1.0



LEENS 2.0

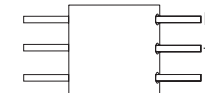
## MOUNTING INSTRUCTION

- 1 Attach the wall base on the ceiling with screws

## POWER CONNECTION

- 2 Make connection with the power supply

Interior: STANDARD version



- 3 Attach the LEENS on the wall base with the side screws