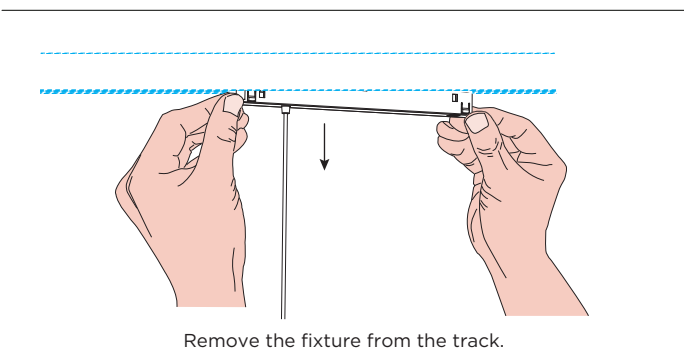
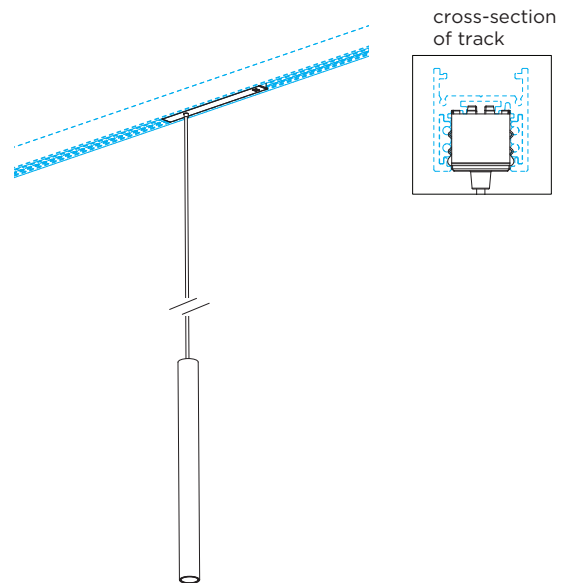
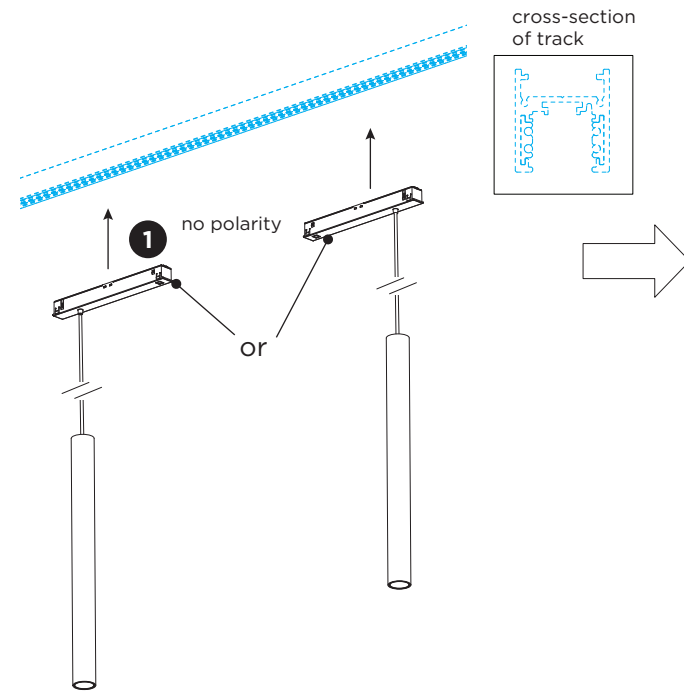
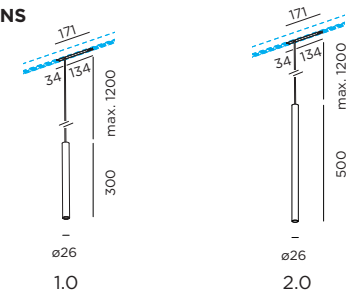


# STUBE on track

INSTALLATION INSTRUCTIONS | AUGUST 2020



## DIMENSIONS

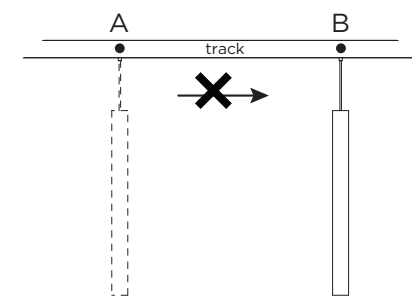
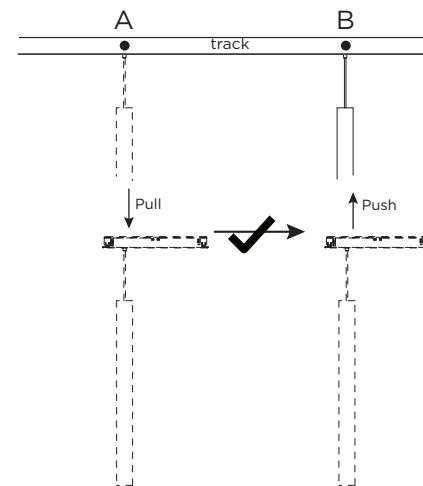


## MOUNTING INSTRUCTION

- 1 Push the fixture into the track at the preferred location.



Note: the fixture is not allowed to slide in the track. If you want to change location of the fixture in the track, please pull the fixture out of the track and install it on the correct position.



About how to shorten the cable, see page 2

# STUBE on track

INSTALLATION INSTRUCTIONS | AUGUST 2020

shorten the cable

