

SQUBE 2.0 ON 3 PHASE TRACK

20-Apr.-2019

2.0 LED

LED 12W | 220-240VAC | 50-60Hz | COB 3-step | incl. PS | phase-cut dim | incl. 3-phase track adapter

CE IP20 0.3m 24° 90° 355°

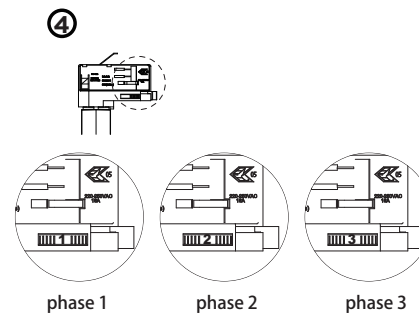
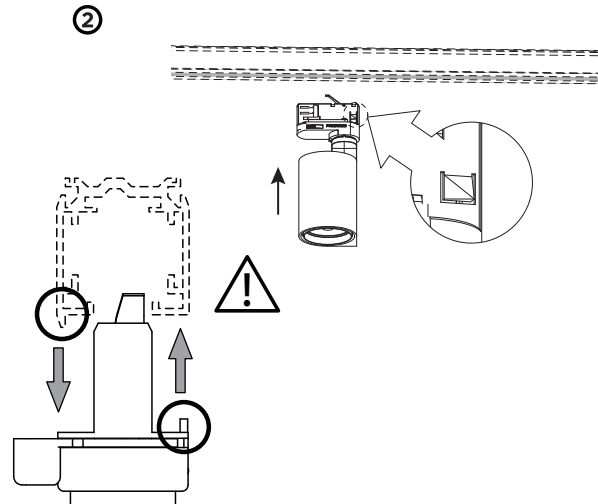
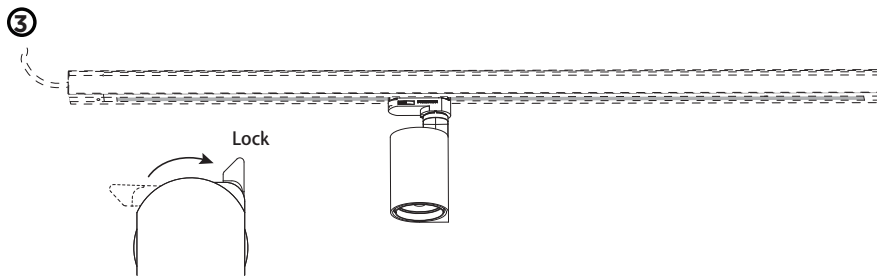
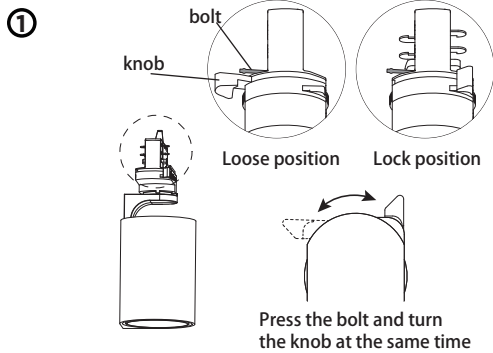
white texture	144364W
black texture	144364B

LIGHT COLOUR

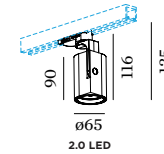
2700K >80CRI 780lm	2
3000K >80CRI 810lm	4
1800-3000K >80CRI 850lm	9

OPTIONAL

dimmer	
for switch	90019017
for din rail	90019018



DIMENSIONS



MOUNTING INSTRUCTION

- ① Make sure the knob is on the Loose position.
- ② Push the fixture into the track.
- ③ Turn the knob to the Lock position. (Press the bolt and turn the knob at the same time)
- ④ Select the phase.

The light source of the integrated LED is not replaceable;
When the light source reaches its end of life the whole
luminaire shall be replaced.



Caution, risk of electric shock