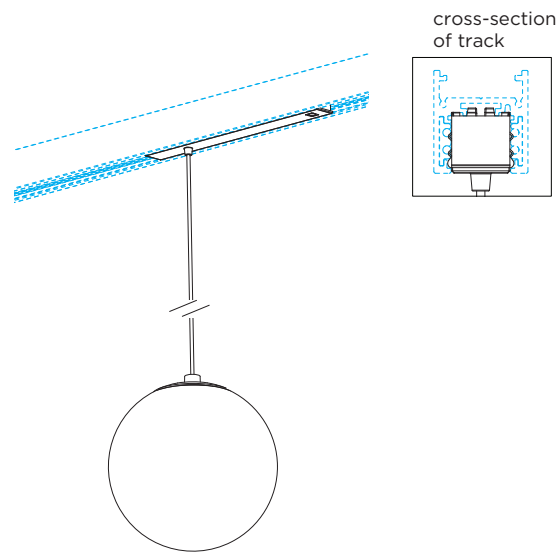
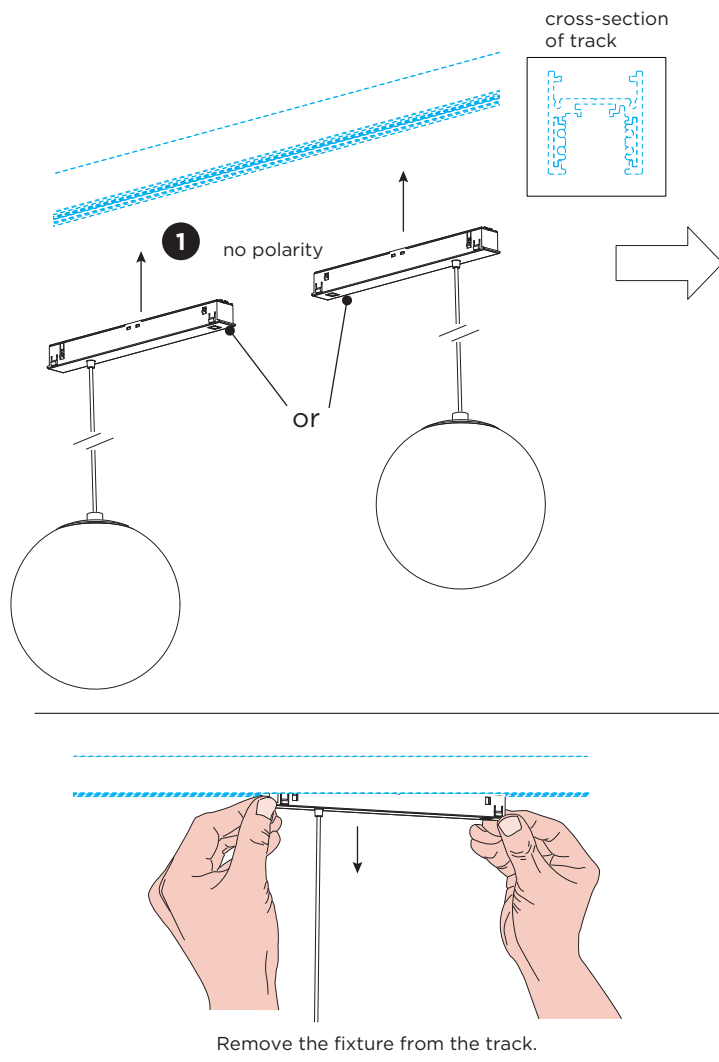


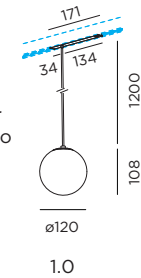
# SOLLI on track

INSTALLATION INSTRUCTIONS | AUGUST 2020



## DIMENSIONS

Please contact Wever & Ducré for solutions on how to shorten the cable length.



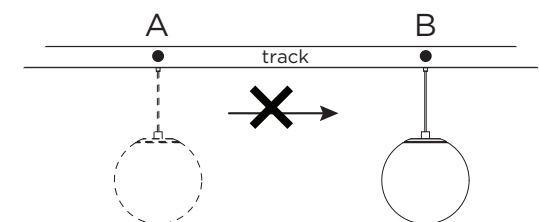
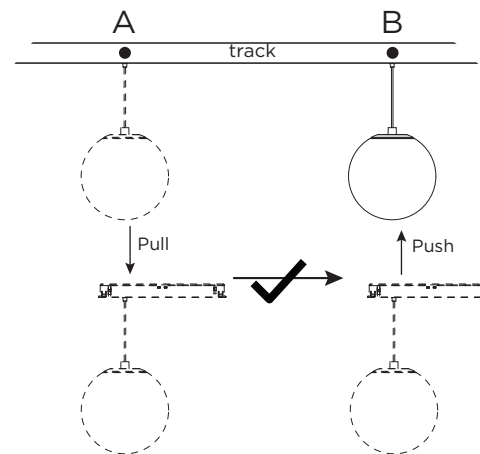
## MOUNTING INSTRUCTION

- 1 Push the fixture into the track at the preferred location.



WARNING

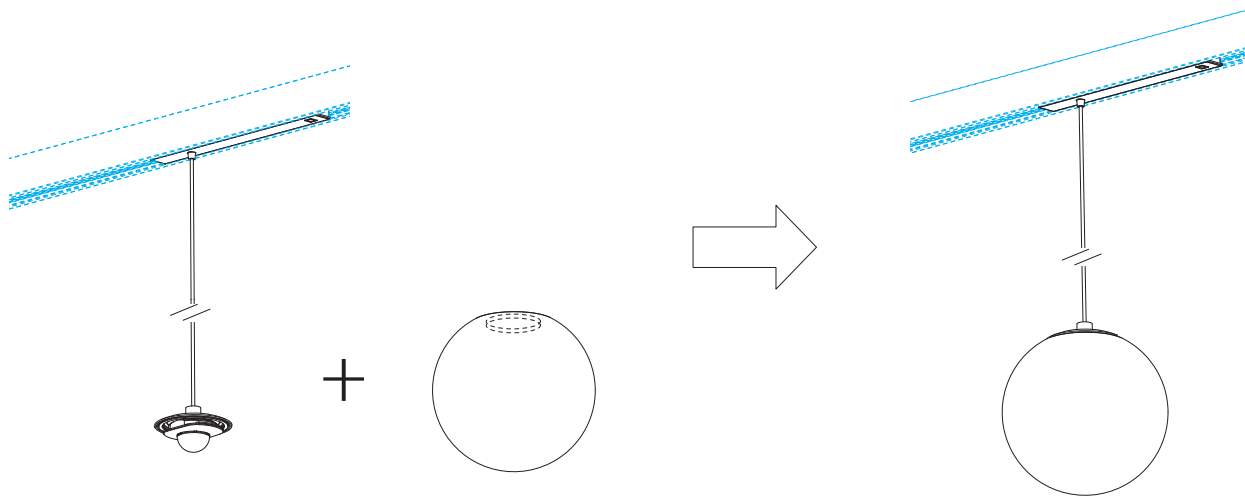
Note: the fixture is not allowed to slide in the track. If you want to change location of the fixture in the track, please pull the fixture out of the track and install it on the correct position.



About how to mount the glass cover, see the page 2

# SOLLI on track

INSTALLATION INSTRUCTIONS | AUGUST 2020



mount the glass cover

