

REVER FLOOR 1.0 M/L

01-Aug.-2017

REVER FLOOR 1.0 M

LED QA60 max. 12W | E27 | 220-240VAC | 50-60Hz | Dimmable
| Plating steel (C/G/N/P/W/B) | Polycarbonate (TG/SG/CW/AY/HR)



DIFFUSER COLOUR

tea green	6533ETG_
smoke grey	6533ESG_
champ. white	6533ECW_
amber yellow	6533EAY_
hip rose	6533EHR_

REVER FLOOR 1.0 L

LED QA60 max. 12W | E27 | 220-240VAC | 50-60Hz | Dimmable
| Plating steel (C/G/N/P/W/B) | Polycarbonate (TG/SG/CW/AY/HR)



DIFFUSER COLOUR

tea green	6534ETG_
smoke grey	6534ESG_
champ. white	6534ECW_
amber yellow	6534EAY_
hip rose	6534EHR_

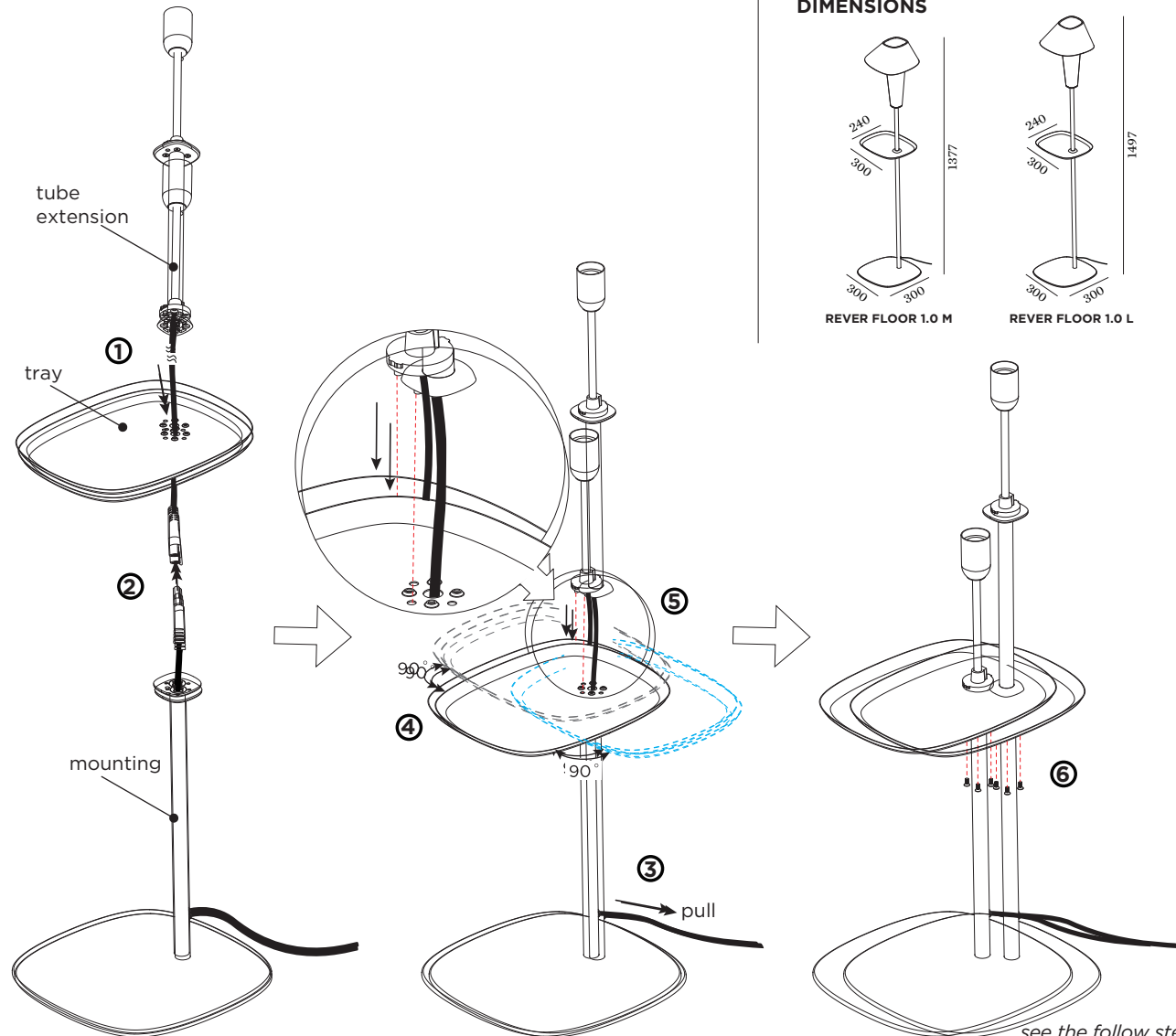
MOUNTING DETAIL

CHROME	C
BLACK CHROME	N
LIGHT GOLD	G
PINK COPPER	P
WHITE	W
BLACK	B

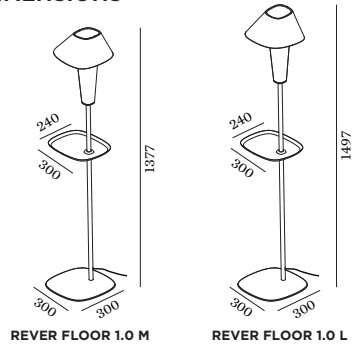
MOUNTING INSTRUCTION

* It takes two people to do the installation.

- ① Let the cable of the bulb support through the tray.
- ② Connect the cable plugs.
- ③ Pull the cable down to the right length.
- ④ Select the direction of the tray. (There are three directions to choose.)
- ⑤ Put the tube extension upright on the tray in the right place.
- ⑥ Assemble the tube extension, the tray & the mounting together with 4 screws.



DIMENSIONS



see the follow steps on page 2



WEVER & DUCRÉ
LIGHTING

www.weverducre.com

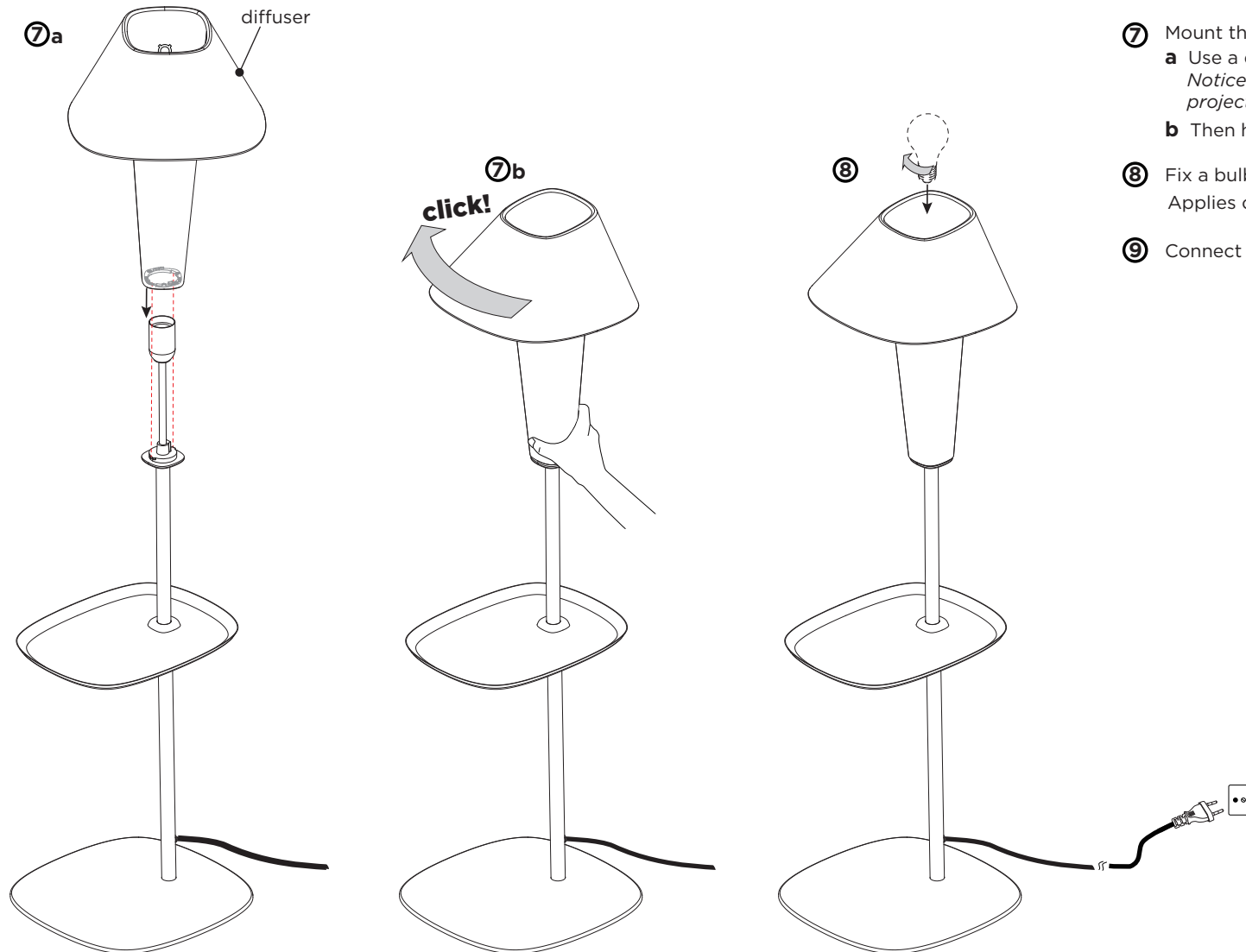
Wever & Ducre bvba Kwadestraat 153 bus 2.1 8800 Roeselare

INSTALLATION
INSTRUCTIONS

PAGE 1/2

REVER FLOOR 1.0 M/L

01-Aug.-2017



- 7 Mount the diffuser.
 - a Use a diffuser to cover the tube extension.
Notice: Keep the grooves of the diffuser aligned with the projecting positions of the pole base.
 - b Then hold the diffuser and clockwise rotating to click.
- 8 Fix a bulb into the diffuser, bulb is not included.
Applies only to **LEADING EDGE LED DIMMABLE BULB**.
- 9 Connect the power with plug.