



SHIEK 1.0/2.0/3.0

4-May.-2017

1.0 LED

LED 8W | 220-240VAC | PCB 3-step | ambient white dim | phase-cut dim | incl. PS



CE IP20 \varnothing 0.3m  

1800-2850K | >80CRI | 400lm



	white texture + gold	234189J9
	black texture + gold	234189K9
	copper	234189P9
	white texture	234189W9
	black texture + copper	234189Z9

2.0 LED

LED 8W | 220-240VAC | PCB 3-step | ambient white dim | phase-cut dim | incl. PS



CE IP20 \varnothing 0.3m  

1800-2850K | >80CRI | 400lm


	white texture + gold	234289J9
	black texture + gold	234289K9
	copper	234289P9
	white texture	234289W9
	black texture + copper	234289Z9

3.0 LED

LED 8W | 220-240VAC | PCB 3-step | ambient white dim | phase-cut dim | incl. PS



CE IP20 \varnothing 0.3m  

1800-2850K | >80CRI | 400lm

	white texture + gold	234389J9
	black texture + gold	234389K9
	copper	234389P9
	white texture	234389W9
	black texture + copper	234389Z9

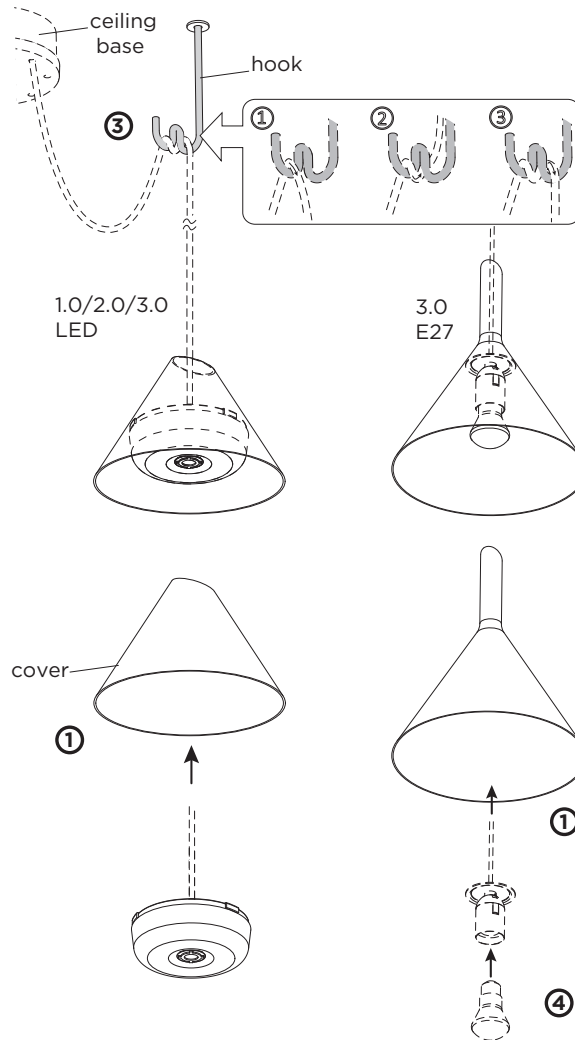
3.0 E27

E27 | max.40W | QA60 | 100-240VAC

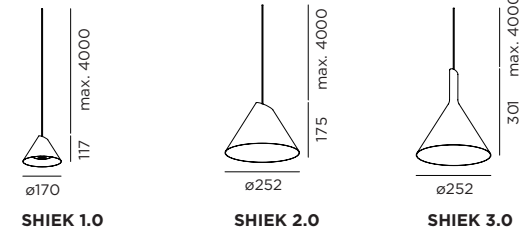
CE IP20 \varnothing 0.9m  

	white texture + gold	2343E8J0
	black texture + gold	2343E8K0
	copper	2343E8P0
	white texture	2343E8W0
	black texture + copper	2343E8Z0



optional single ceiling base
optional multi ceiling bases



DIMENSIONS



MOUNTING INSTRUCTION

- ① Pass the cable through the hole at the top of the cover.
- ② **POWER CONNECTION**
Connect the fixation to the main power connection: STANDARD version
 
- ③ Hang the cable on the hook.
- ④ Only for E27 version: Screw the lamp to the socket (lamp is not including)



WEVER & DUCRÉ
LIGHTING

www.weverducre.com

Wever & Ducre bvba Kwadestraat 153 bus 2.1 8800 Roeselare

**INSTALLATION
INSTRUCTIONS**