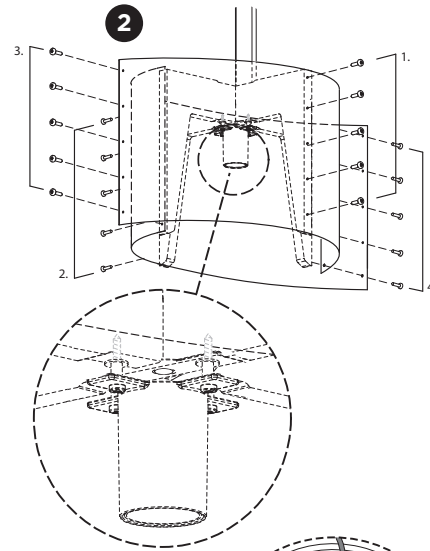
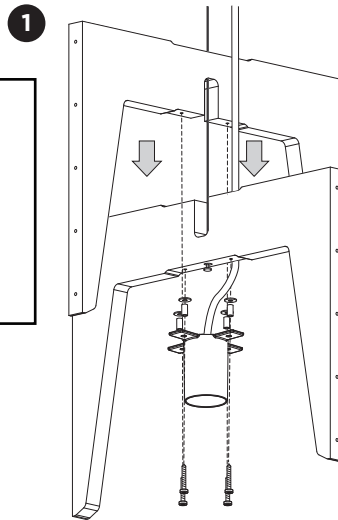
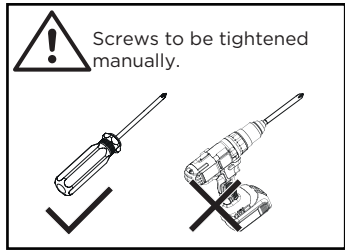
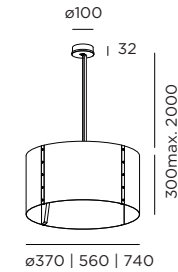


ROCK SUSPENDED

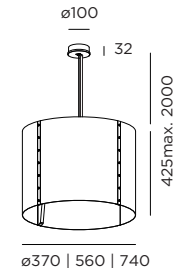
INSTALLATION INSTRUCTIONS | AUGUST 2020



DIMENSIONS



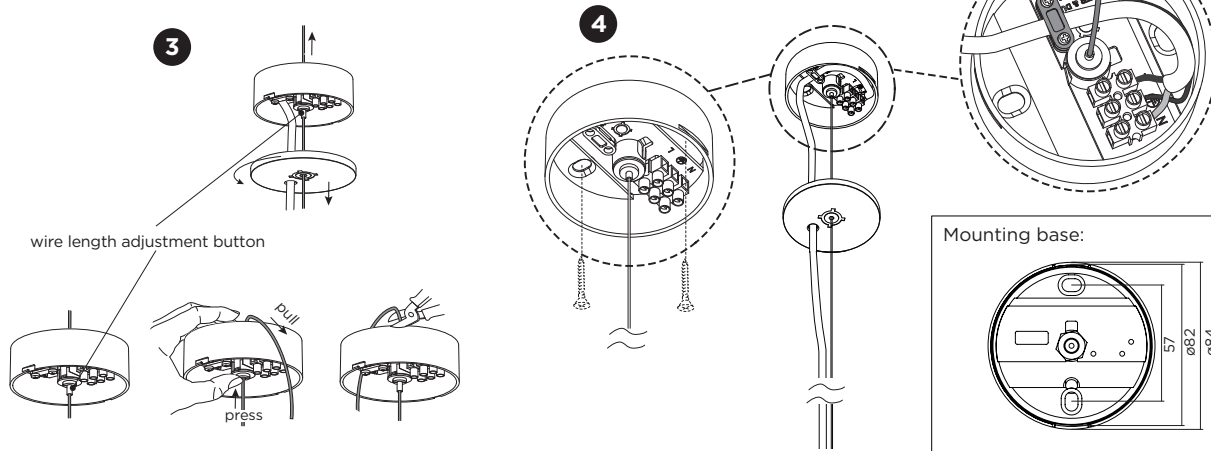
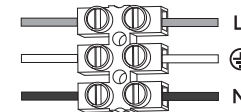
CEILING SUSPENDED 3.0



CEILING SUSPENDED 4.0

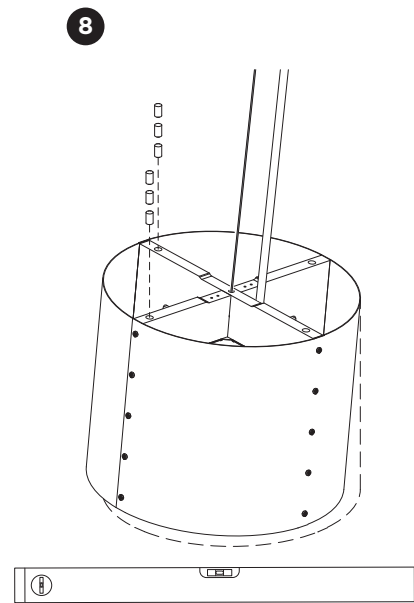
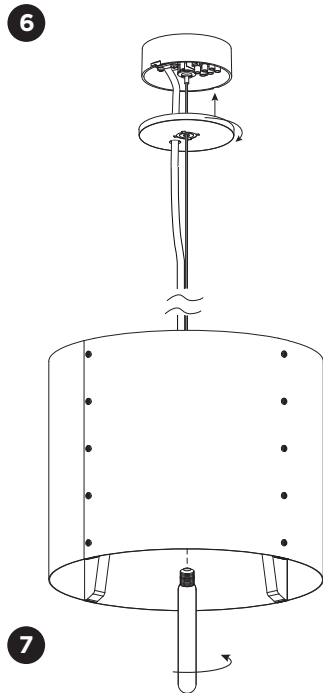
MOUNTING INSTRUCTION

- 1** Combine the wooden parts and fix the lamp socket by means of screws, washers and spacers after guiding the steelwire through the wooden frame. (The 4pcs longest screw are used for the fixation of the socket on to the wooden frame.)
- 2** Fix the stone veneers by means of screws.
- 3** Open the cover of mounting base by turning counterclockwise a quarter. If it is necessary to enshorten the steelwire, please pull it while pressing the adjustment button. Afterwards it should be cut of really short to avoid the risk of having any contact with electrical parts.
- 4** Mount the base to the ceiling with screws after adjusting the position of the stopper. Screws are not included.
- 5 POWER CONNECTION**
Connect to 220-240V.



ROCK SUSPENDED

INSTALLATION INSTRUCTIONS | AUGUST 2020



- 6 Remount the cover by aligning the lids from the cover with the slots in the base and turning clockwise.
- 7 Put the light bulb into the lamp socket.
- 8 To balance the luminaire horizontally use the supplied balancing weights.