

REVER SUSPENDED 1.0

01-Feb.-2018

REVER SUSPENDED 1.0
 LED QA60 max. 15W | E27 | 220-240VAC | 50-60Hz | Dimmable
 | metalized / painted ABS (C/G/N/P/W/B) | Polycarbonate (TG/SG/CW/AY/HR)

CE IP20

DIFFUSER COLOUR

	tea green	6521ETG_
	smoke grey	6521ESG_
	champ. white	6521ECW_
	amber yellow	6521EAY_
	hip rose	6521EHR_

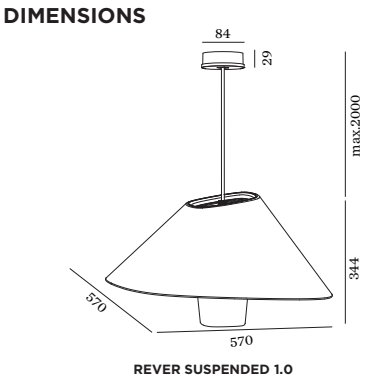
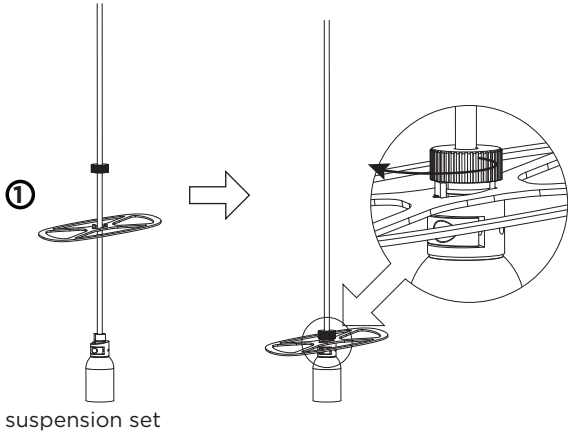
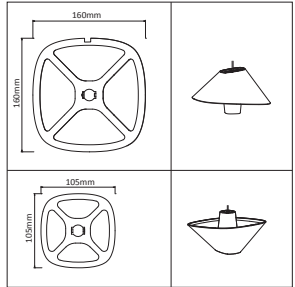
SUSPENSION RING COLOUR

CHROME	C_
BLACK CHROME	N_
LIGHT GOLD	G_
PINK COPPER	P_
WHITE	W_
BLACK	B_

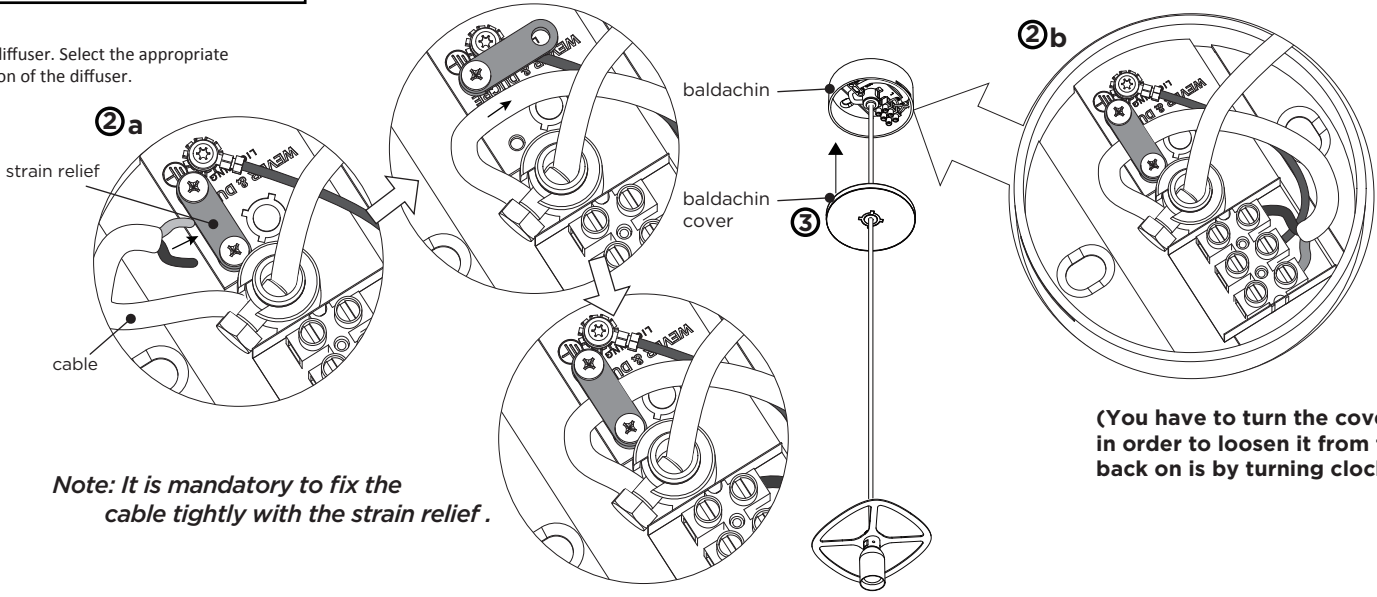
CABLE COLOUR

WHITE	_W
BLACK	_B

suspension frame
 There are two hanging directions for the diffuser. Select the appropriate suspension frame according to the direction of the diffuser.



MOUNTING INSTRUCTION
 ① Assemble the suspension set.



Note: It is mandatory to fix the cable tightly with the strain relief.

POWER CONNECTION

② Interior: STANDARD connection (refer to steps: a&b)

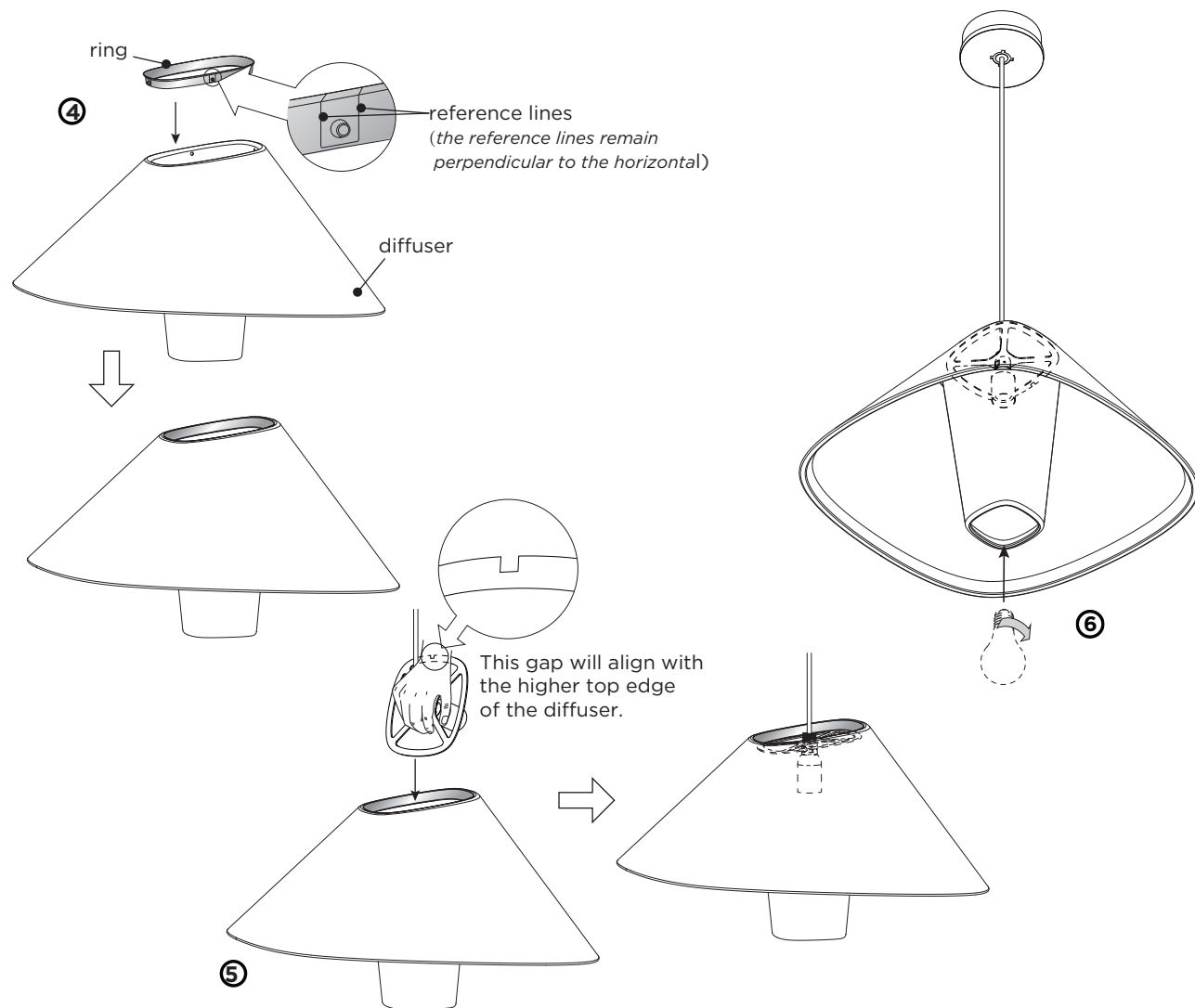
③ Adjust cable length if necessary and close the baldachin with the cover.

(You have to turn the cover counterclockwise a quarter in order to loosen it from the baldachin and mounting back on is by turning clockwise.)

see the follow steps on page 2

REVER SUSPENDED 1.0

01-Feb.-2018



- ④ Put the ring on the diffuser pressing to click.
- ⑤ Insert the suspension set in the diffuser, and adjust it to the right position.
- ⑥ Fix a bulb into the diffuser, bulb is not included.
Applies only to **LEADING EDGE LED DIMMABLE BULB**.