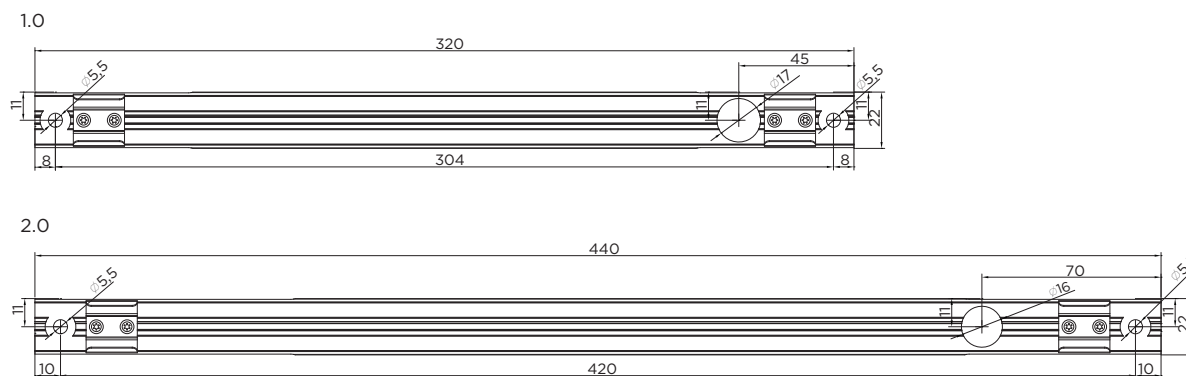
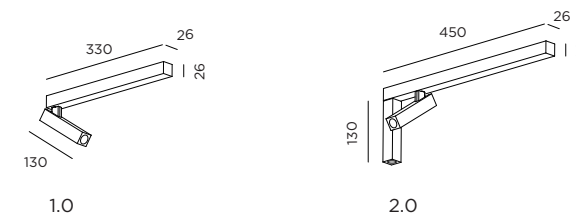


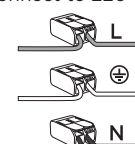
Mounting base:



DIMENSIONS



MOUNTING INSTRUCTION

- 1 Loosen the two socket screws from the fixture.
- 2 Remove the mounting base from the fixture and mount it on the ceiling with screws (screws are not included).
- 3 **POWER CONNECTION**
Connect to 220-240V.

- 4 Attach the fixture to the mounting base by sliding it over completely against the ceiling.
- 5 Lock the fixture on the mounting base with the two socket screws.