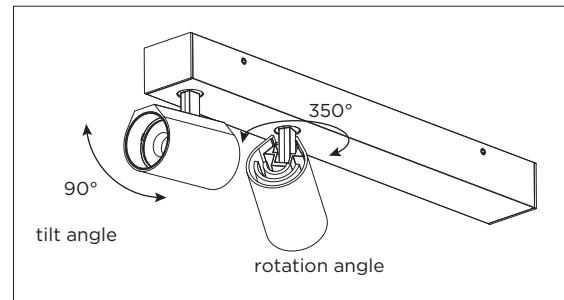
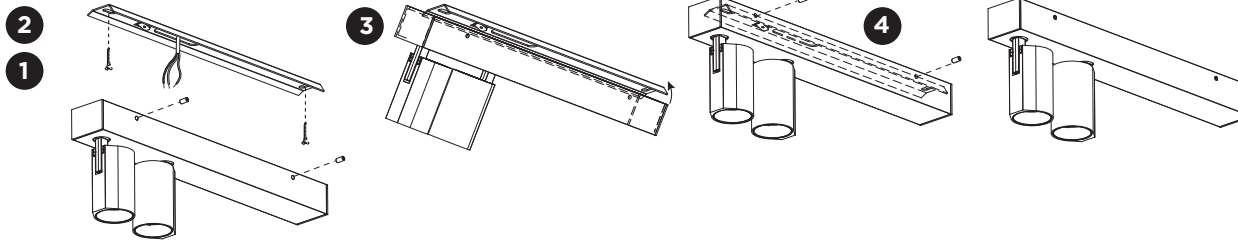
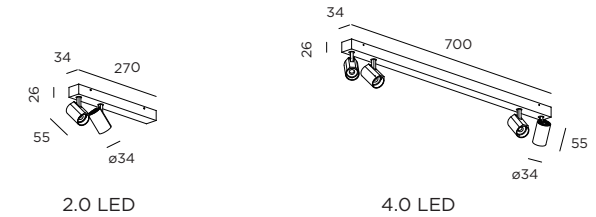


installation for 2.0 / 4.0



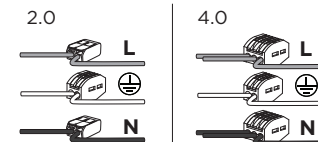
DIMENSIONS



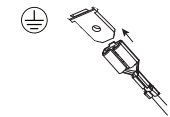
MOUNTING INSTRUCTION

1 Remove the mounting base from the luminaire by loosening the socket screws and mount it on the ceiling with screws (screws are not included).

2 POWER CONNECTION
Connect to 220-240V.



Connect the ceiling base earth cable.



3 Attach the luminaire to the mounting base with the screw opposite side first and tilt towards the ceiling as shown.

4 Fixate the luminaire on the base with the socket screw.

Mounting base:

