

BOX

14-Dec.-2016

2.0 LED

LED 2x8W | 220-240VAC | 50-60Hz | COB 2-step | incl. PS | phase-cut dim

CE IP20 0.3m 36° P

white texture	146264W
aluminium brushed	146264L
gold	146264G
bronze	146264Q
copper	146264P
black texture	146264B

LIGHT COLOUR

2700K >80CRI 2x600lm	2
3000K >80CRI 2x600lm	4
1800-2850K >90CRI 2x410lm	9

2.0 PAR16

2xPAR16 max. 35W | GU10 | 100-240VAC | 50-60Hz

CE IP20 0.9m

white texture	146220W0
aluminium brushed	146220L0
gold	146220G0
bronze	146220Q0
copper	146220P0
black texture	146220B0

OPTIONAL

for PAR16 lamps see our catalogue

OPTIONAL

double inner reflector max. 10W

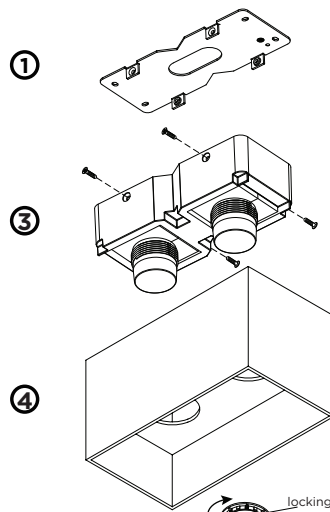
white texture	911251W1
gold	911251G1
black texture	911251B1

single inner cover max. 10W

white texture	911011W1
gold	911011G1
black texture	911011B1

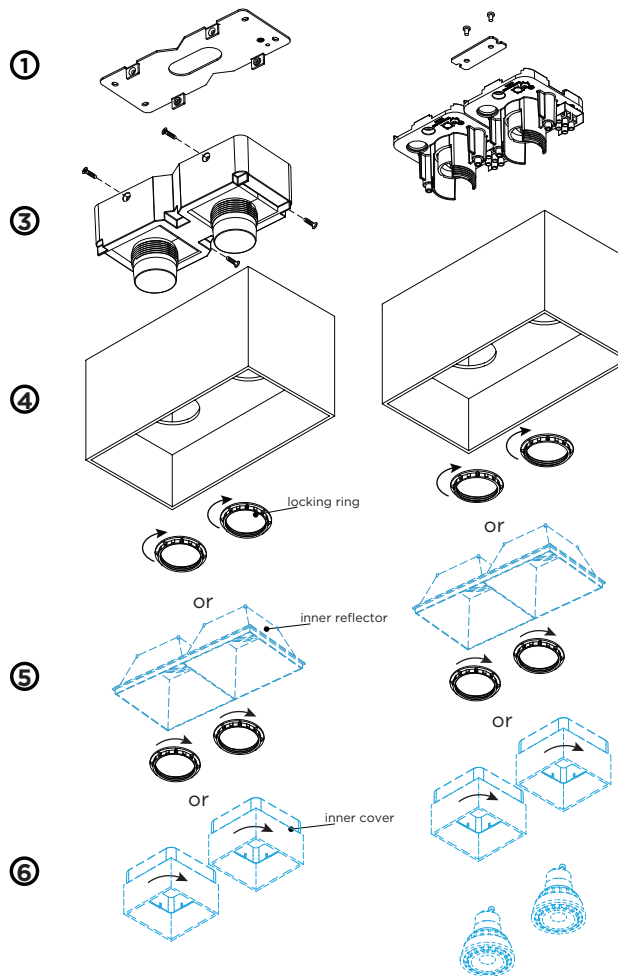
2.0 LED

Double module integration

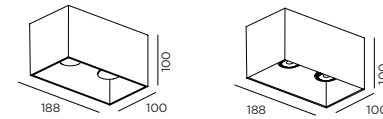


2.0 PAR16

Two bases are connected together



DIMENSIONS



MOUNTING INSTRUCTION

- FOR 2.0 LED**
Mount the base plate on the ceiling with screws.
FOR 2.0 PAR16
Attach both bases to each other by using the plate (plate can be found inside the cover box)
 - POWER CONNECTION**
Connect wiring to the power supply (for LED) or to terminal block (for PAR16)
- STANDARD
- FOR 2.0 LED**
Attach the LED Double module on the base plate with side-screws.
 - Attach the box cover to the luminaire base by screwing the locking ring
 - OPTIONAL inner reflector**
Attach the reflector to the box cover by screwing the locking ring.
With inner reflector: **max. 10W**
 - OPTIONAL inner cover**
put the inner cover in the outer cover by screwing.
with inner cover: **max. 10W**



WEVER & DUCRÉ
LIGHTING

www.weverducre.com

Wever & Ducre bvba Kwadestraat 153 bus 2.1 8800 Roeselare

INSTALLATION
INSTRUCTIONS