

STRANGE 2.0

03-Jun-2019

2.0 LED

LED 2x7/10W | 350-500mA | 18Vf | COB 3-step | excl. power supply

CE IP20 0.3m 36° 35°/35° 355°

white texture
black texture

131261W_
131261B_

LIGHT COLOUR

2700K | >90CRI | 2x500/680lm

3

3000K | >90CRI | 2x520/710lm

5

1800-2850K work with 16V | >95CRI | 2x320/430lm

9

ALWAYS USE

plastic plasterkit 10 or 13

white
black

90017123
90017117

aluminium plasterkit 4-25

grey

90017121

for power supplies see our catalogue

2.0 PAR16

2xPAR16 max. 12W | GU10 | 100-240VAC | 50-60Hz

CE IP20 0.9m 35°/35° 355° DO NOT COVER

white texture
black texture

131220W0
131220B0

ALWAYS USE

plastic plasterkit 10 or 13

white
black

90017123
90017117

aluminium plasterkit 4-25

grey

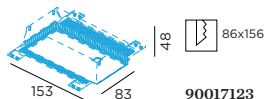
90017121

OPTIONAL

for PAR16 lamps see our catalogue

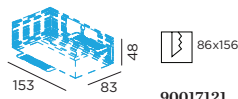
plaster kit (available as separate items)

plastic plasterkit



90017123
90017117

aluminium plasterkit



90017121

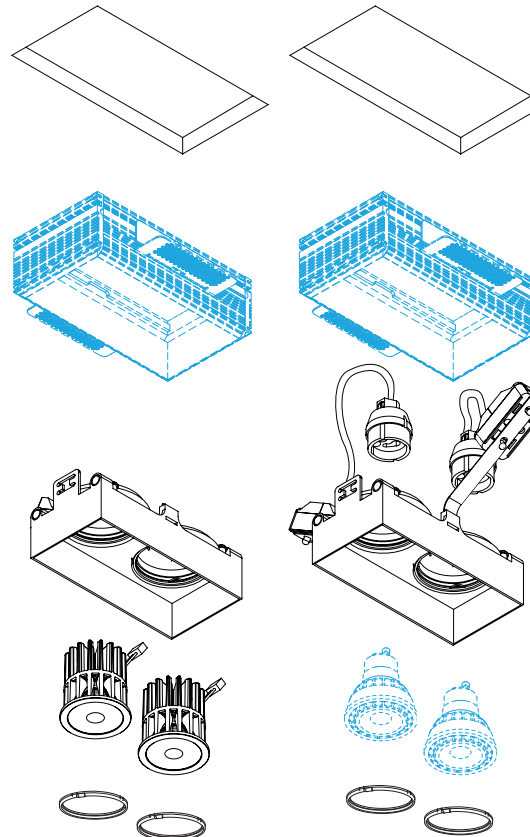
2.0 LED

2.0 PAR16

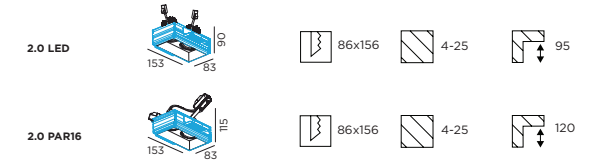
①

②

④



DIMENSIONS

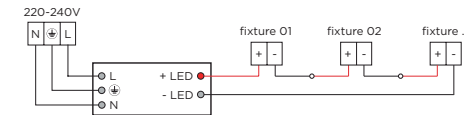


MOUNTING INSTRUCTION

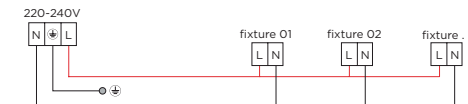
- ① Make a hole in the ceiling according to the prescribed dimensions (always use a plaster kit)
- ② Insert the upper part of the fixture into the ceiling and plaster the borders seamlessly

POWER CONNECTION

- ③ SERIAL CONNECTION - for LED
Always use POWER SUPPLY according to the specifications of the LED-module



PARALLEL CONNECTION - for PAR16



- ④ Insert the fixture in the upper part. Place the LED-module or PAR16 lamp and fix with spring.
- ⑤ SAFETY DISTANCE FOR HALOGEN LAMPS

