

NOP PETIT 1.0

23-Apr.-2019

1.0 LED

LED 6W | 350mA | COB 3-step | excl. power supply
 CE ∞ IP20 \varnothing 0.3m \star 31° \odot 35°/35° \downarrow 355°

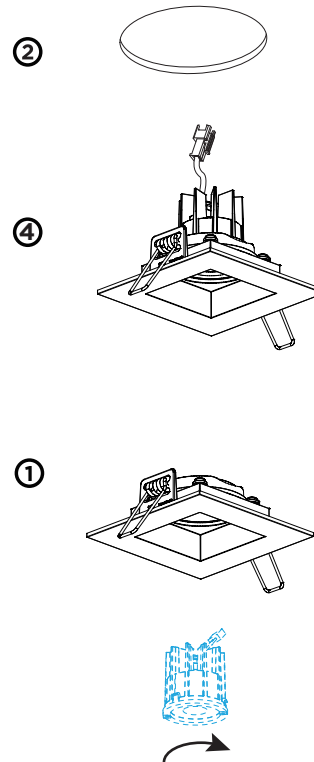
white texture (wire springs)	130561W_
silver / grey (wire springs)	130561S_
black texture (wire springs)	130561B_
white texture (blade springs)	130561W_C
silver / grey (blade springs)	130561S_C
black texture (blade springs)	130561B_C

LIGHT COLOUR

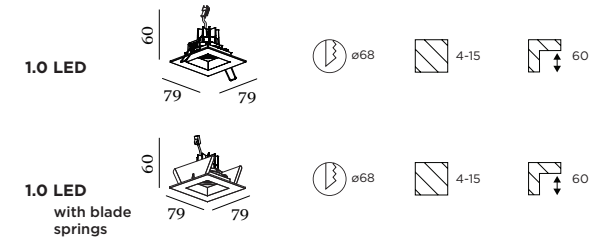
2700K >90CRI 560lm 18Vf	3
3000K >90CRI 580lm 18Vf	5
1800-2700K >95CRI 350lm 15Vf	9

ALWAYS USE

for power supplies see our catalogue



DIMENSIONS



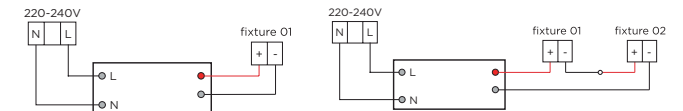
MOUNTING INSTRUCTION

- Put the LED engine in the fixture and fix it by turning it a half turn.
- Make a hole in the ceiling according to the prescribed dimensions.

3 POWER CONNECTION

SERIAL CONNECTION - for LED

Always use POWER SUPPLY according to the specifications of the LED-module



- Push up the springs and insert the fixture in the ceiling hole. Once the springs are in the ceiling let loose of the springs



CAUTION: NO HOT PLUGGING!

Before connecting the luminaire the converter needs to be disconnected from the power supply. If this instruction is disregarded the luminaire might be damaged or destroyed.