

NEW NOP

25-Apr.-2019

1.0 LED

LED AC MOD 8W | 220-240V | COB 3-step | incl. PS | phase cut dim

CE IP20 0,3m 36° 30°/30° 355°

white texture (wire springs)	130468W_
silver / grey (wire springs)	130468S_
black texture (wire springs)	130468B_
white texture (blade springs)	130468W_C
silver / grey (blade springs)	130468S_C
black texture (blade springs)	130468B_C

LIGHT COLOUR

2700K >90CRI 480lm	3
3000K >90CRI 500lm	5

ALWAYS USE

for power supplies see our catalogue

1.0 MR16

QR-CBC51 max.12W | GU5.3 | 12V | excl. power supply

CE IP20 0,9m 35°/35° 355°

white texture (wire springs)	130410W0
silver / grey (wire springs)	130410S0
black texture (wire springs)	130410B0
white texture (blade springs)	130410W0C
silver / grey (blade springs)	130410S0C
black texture (blade springs)	130410B0C

ALWAYS USE

for power supply see our catalogue

1.0 PAR16

PAR16 max. 12W | GU10 | 100-240VAC | 50-60Hz

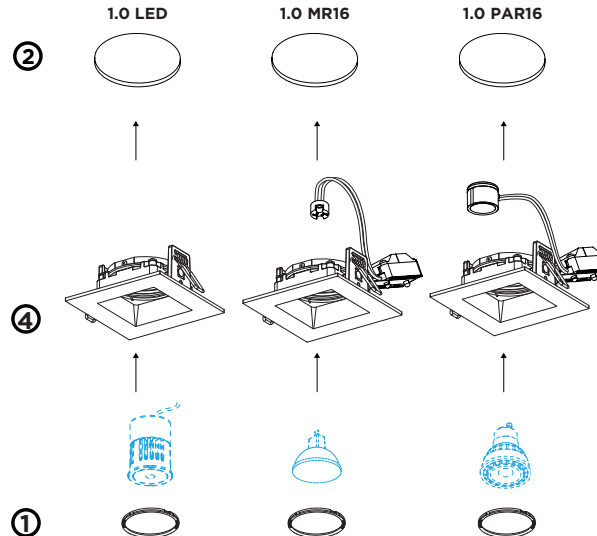
CE IP20 0,9m 35°/35° 355°

OPTIONAL: PAR16 LED GU10 6W | phase-cut dim : 2700K 350lm | 3000K 350lm
PAR16 LED GU10 7W ambient white dim : 1800-2850K 380lm

white texture (wire springs)	130420W0
silver / grey (wire springs)	130420S0
black texture (wire springs)	130420B0
white texture (blade springs)	130420W0C
silver / grey (blade springs)	130420S0C
black texture (blade springs)	130420B0C

OPTIONAL

for PAR16 lamps see our catalogue

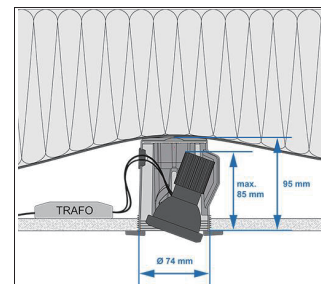


FOR HALOGEN LAMPS:

1. The mounting height for the luminaire should be more than 2.5m.
2. Luminaires not suitable for covering with thermally insulating material.
3. Luminaires not suitable for direct mounting on normally flammable surfaces (suitable only for mounting on noncombustiblesurfaces)



fits into Kaiser ThermoX® 9320-21



DIMENSIONS

1.0 LED		82	4-32	95
1.0 MR16		82	4-32	76
1.0 PAR16		82	4-32	83
1.0 LED with blade springs		86	4-32	95
1.0 MR16 with blade springs		86	4-32	76
1.0 PAR16 with blade springs		86	4-32	83

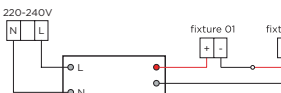
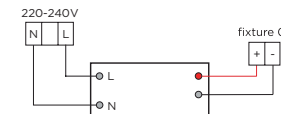
MOUNTING INSTRUCTION

1. Mount the LED engine in the lamping and fix it with the spring added to the lamping.
2. Make a hole in the ceiling according to the prescribed dimensions.

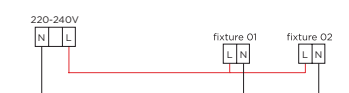
3. POWER CONNECTION

SERIAL CONNECTION - for LED

Always use POWER SUPPLY according to the specifications of the LED-module



PARALLEL CONNECTION - for PAR16



4. Turn the springs and insert the fixture in the ceiling hole

PB19-010-563-00



WEVER & DUCRÉ
LIGHTING

www.weverducre.com

Wever & Ducre bvba Spinnerijstraat 99/21 8500 Kortrijk

INSTALLATION
INSTRUCTIONS