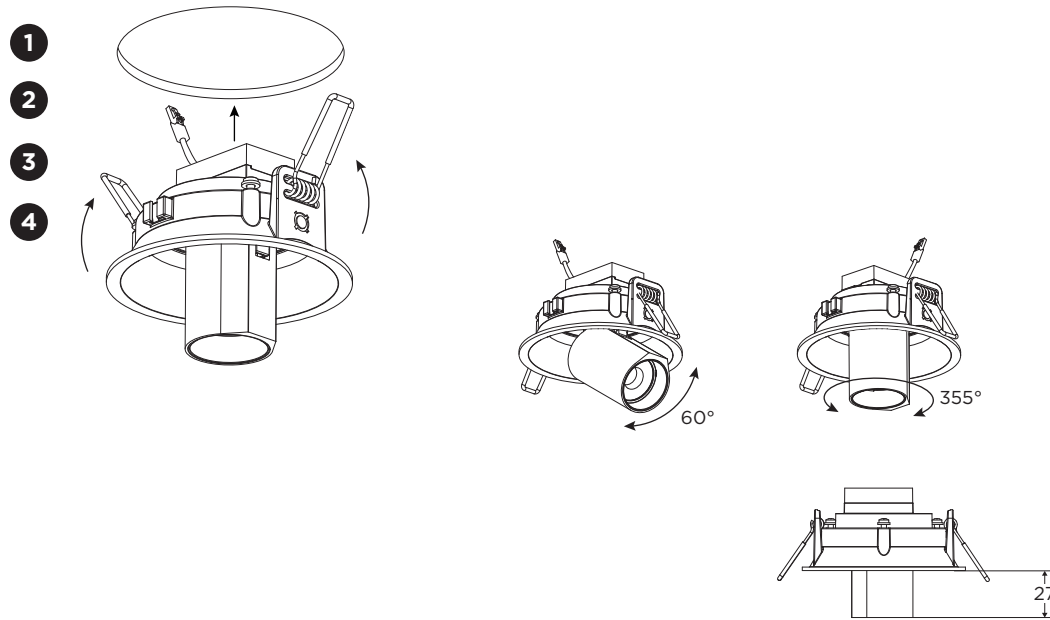


BLIEK ROUND petit 1.0

INSTALLATION INSTRUCTIONS | JUNE 2020

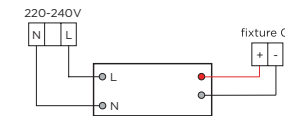


DIMENSIONS

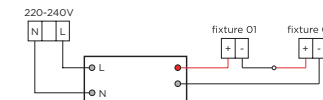


MOUNTING INSTRUCTION



- 1 Make a hole in the ceiling according to the prescribed dimensions.
- 2 Connect the luminaire to a driver. Driver is not included.
- 3 **POWER CONNECTION**
Always use a driver according to the specifications of the LED module.



SERIAL CONNECTION



- 4 Push the springs up and insert the fixture in the ceiling hole.

Driver must be powered off before connecting cables.

Before connecting the luminaire/LED module to the driver please make sure the driver is not powered but disconnected from the mains. The driver can only be powered when the luminaire/LED module is already connected. Disregarding this instruction might damage or even destroy the luminaire/LED module.

