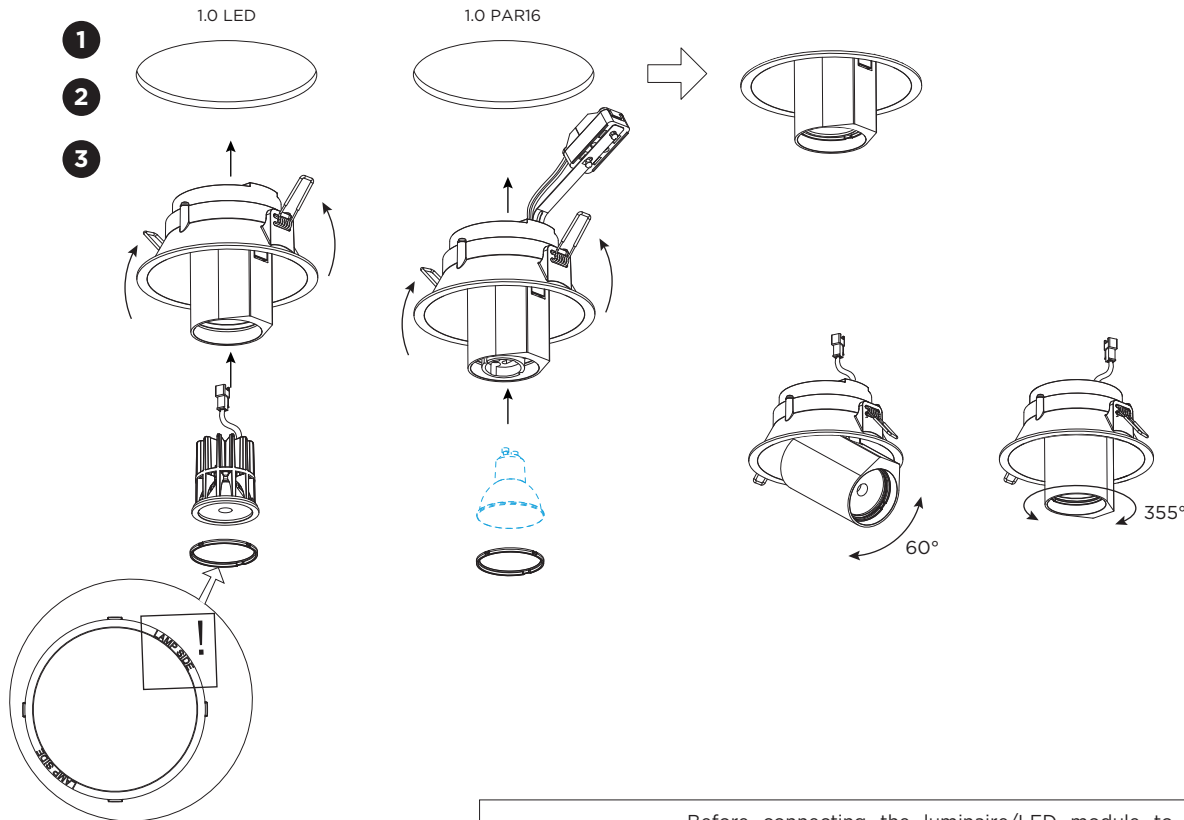


# BLIEK ROUND

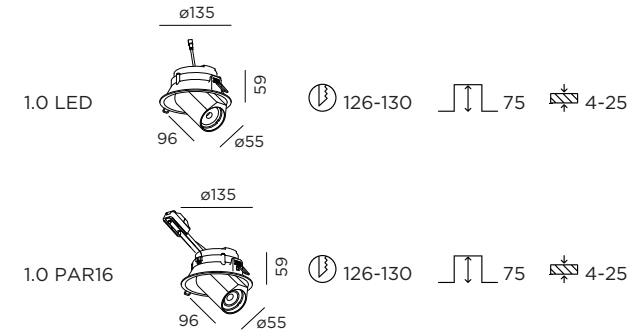
INSTALLATION INSTRUCTIONS | JUNE 2020



**Warning:** Driver must be powered off before connecting cables.

Before connecting the luminaire/LED module to the driver please make sure the driver is not powered but disconnected from the mains. The driver can only be powered when the luminaire/LED module is already connected. Disregarding this instruction might damage or even destroy the luminaire/LED module.

## DIMENSIONS



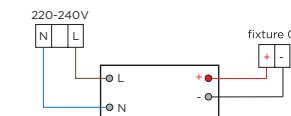
## MOUNTING INSTRUCTION

**1** Make a hole in the ceiling according to the prescribed dimensions.

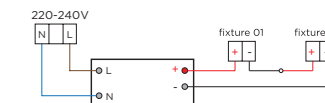
## 2 POWER CONNECTION

**LED** Always use a driver according to the specifications of the LED module.

### Single connection



### Multiple connection



## PAR16

### Single connection



### Multiple connection



**3** Push the springs up and insert the fixture in the ceiling hole.