

# PALOS

19-Oct.-2018

## 1.0

**LED** 8W | 220-240VAC | 50-60Hz | COB 3-step | incl. PS | phase-cut dim

CE IP65 0.3m

3000K | >90CRI | 480lm

white texture

dark grey texture

716174W5

716174D5

## 2.0

**LED** 2x8W | 220-240VAC | 50-60Hz | COB 3-step | incl. PS | phase-cut dim

CE IP65 0.3m

3000K | >90CRI | 2x480lm

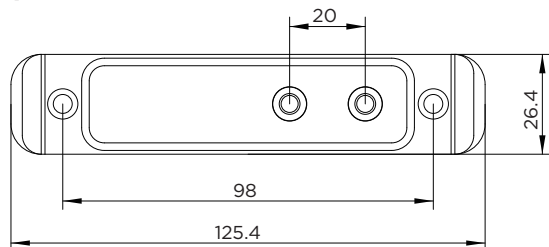
white texture

dark grey texture

716274W5

716274D5

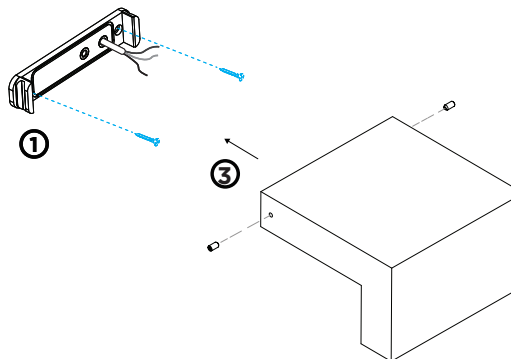
back plate dimensions



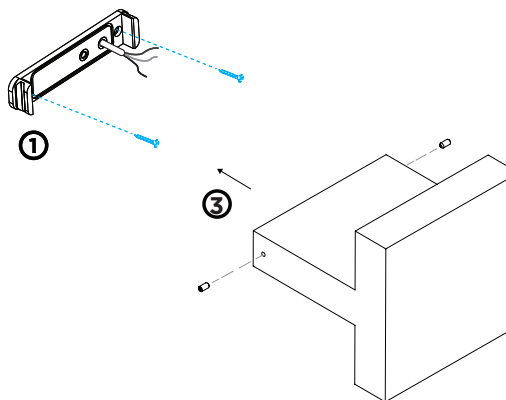
necessary for IP-rating

	A	B	C
use pin to make hole not a knife			
CABLE			
TYPE	ROUND H05RN-F H07RN8-F H07RN-F	ROUND H05RN-F	ROUND
OUTSIDE Ø	min 6.8mm max 8.9mm	min 5mm max 6.8mm	min 1.5mm max 2.6mm
CONDUCTION SECTION	2or3x 0.75mm <sup>2</sup> 2or3x 1.0mm <sup>2</sup> 2or3x 1.5mm <sup>2</sup>	2or3x 0.75mm <sup>2</sup> 2x 1.0mm <sup>2</sup>	0.75mm <sup>2</sup> 1.5mm <sup>2</sup>

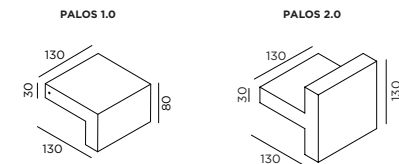
### PALOS 1.0



### PALOS 2.0



### DIMENSIONS

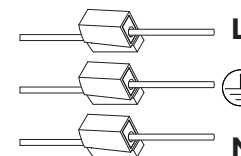


### MOUNTING INSTRUCTION

- Remove the back plate and fixate to the wall with screws

### POWER CONNECTION

- Connect the wires with the terminals.



- Mount the PALOS on the back plate