

GETTON

02-11-2015

1.0

LED 8W | 220-240VAC | 50-60Hz | PCB 3-step | incl. PS | phase-cut dim

CE IP65 960°C 0,3m

3000K | >85CRI | 665lm | opal glass

white texture
dark grey texture

717474W4
717474D4

OPTIONAL

big cover
white texture
dark grey texture

911141W1
911141D1

2.0

LED 8W | 220-240VAC | 50-60Hz | PCB 3-step | incl. PS | phase-cut dim

CE IP65 960°C 0,3m

3000K | >85CRI | 720lm | clear glass

white texture
dark grey texture

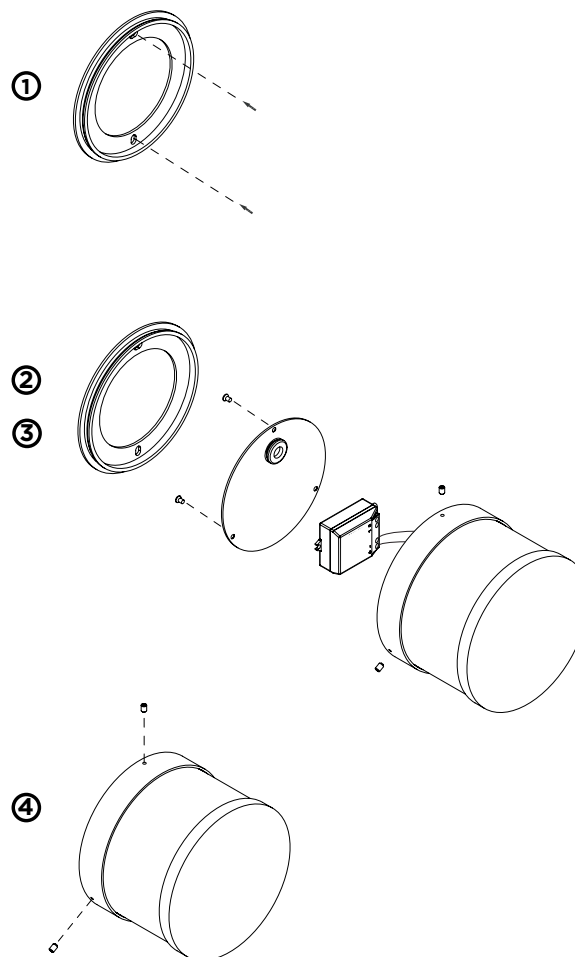
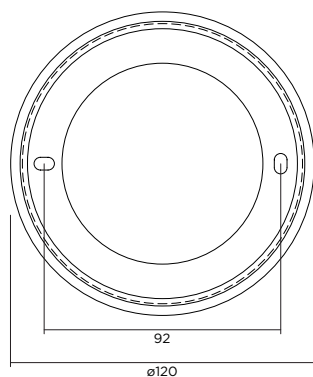
717374W4
717374D4

OPTIONAL

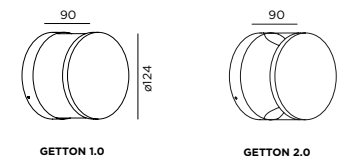
big cover
white texture
dark grey texture

911141W1
911141D1

OPTIONAL, (ORDER SEPARATELY)
base plate dimensions



DIMENSIONS



1 MOUNTING INSTRUCTION

Remove the backplate from the GETTON and mount it on the wall with screws.

For exterior use put plastic gaskets on the screws

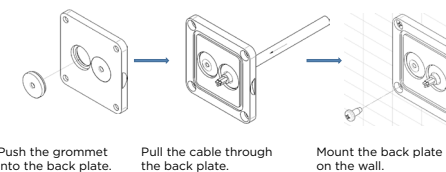
2 Open the backside of the GETTON

3 POWER CONNECTION

Connect the power supply.

Exterior: WATERPROOF Connection

IP-rated connections for wall fixtures: cable isolation for round cables \varnothing 4.5-7.5 mm, should be in the grommet. For cable use \varnothing 7.0-9.5 mm: replace the grommet with the other grommet in the bag.



4 Close the backside of the GETTON

5 Mount the GETTON on the backplate with the screws



WEVER & DUCRÉ
LIGHTING

www.weverducre.com

INSTALLATION
INSTRUCTIONS