

BOXX

09-Aug-2018

1.0 LED EXTERIOR

LED 2x2xLED3W | 220-240VAC | 50-60Hz | PCB 3-step | incl. PS | phase-cut dim

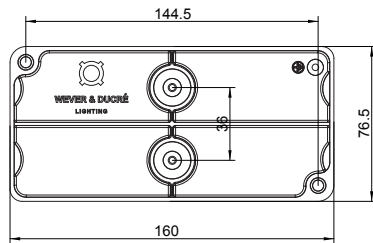
CE IP65 ϕ 0,3m

white texture	739148W_
dark grey texture	739148D_
black texture	739148B_

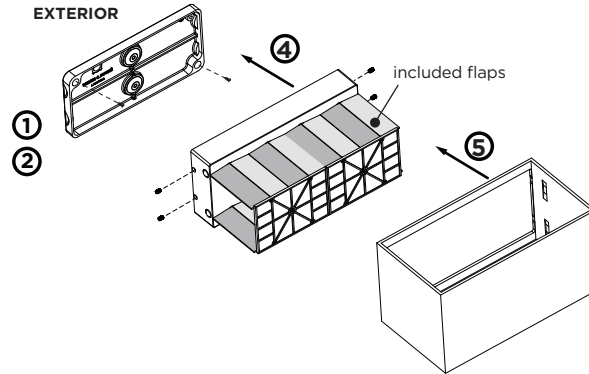
LIGHT COLOUR

2700K >80CRI 2x400lm	2
3000K >80CRI 2x440lm	4

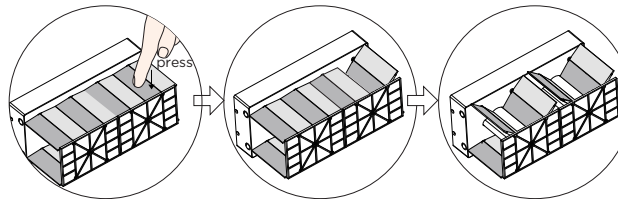
base plate dimensions



1.0 LED EXTERIOR



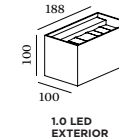
with flaps, the beam angle is adjustable:



necessary for IP-rating

	A	B	C
use pin to make hole, not a knife			
CABLE			
TYPE	ROUND H05RN-F H07RN8-F H07RN-F	ROUND H05RN-F	ROUND
OUTSIDE Ø	min 6.8mm max 8.9mm	min 5mm max 6.8mm	min 1.5mm max 2.6mm
CONDUCTION SECTION	2or3x 0.75mm ² 2or3x 1.0mm ² 2or3x 1.5mm ²	2or3x 0.75mm ² 2x 1.0mm ²	0.75mm ² 1.5mm ²

DIMENSIONS

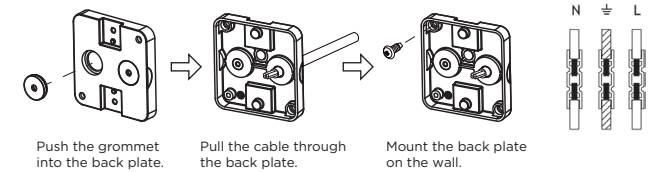


MOUNTING INSTRUCTION

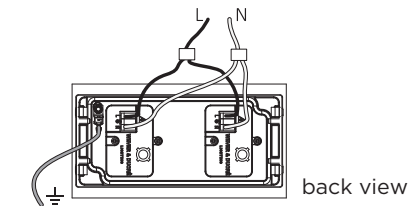
- 1 Remove the lamp base
- 2 Fixate the back plate to the wall with screws
- 3 POWER CONNECTION

Exterior: WATERPROOF Connection

IP-rated connections for wall fixtures: cable isolation for round cables ϕ 4.5-7.5 mm, should be in the grommet. For cable use ϕ 7.0-9.5 mm: replace the grommet with the other grommet in the bag. Refer to overview table.



Push the grommet into the back plate. Pull the cable through the back plate. Mount the back plate on the wall.



back view

- 4 Fixate the lamp base to the back plate.
- 5 Fixate the lamp cover to the back base.

The light source of the integrated LED is not replaceable; When the light source reaches its end of life the whole luminaire should be replaced.



Caution, risk of electric shock



WEVER & DUCRÉ
LIGHTING

www.weverducre.com

Wever & Ducre bvba Spinnerijstraat 99/21 8500 Kortrijk

INSTALLATION
INSTRUCTIONS