

SWAY

02-11-2015

1.0

LED 8W | 220-240VAC | 50-60Hz | COB 2-step | incl. PS | phase-cut dim

CE \oplus IP54 \square 960° \square 0,3m \square 140°/140°

3000K | >80CRI | 480lm

dark grey texture

720174D4

ALWAYS USE

base 300 910013D0

base 400 910014D0

base 800 910018D0

base 1000 910010D0

OPTIONAL

concrete ground fixation 90013301

2.0

LED 2x8W | 220-240VAC | 50-60Hz | COB 2-step | incl. PS | phase-cut dim

CE \oplus IP54 \square 960° \square 0,3m \square 140°/140°

3000K | >80CRI | 2x480lm

dark grey texture

720274D4

ALWAYS USE

base 300 910013D0

base 400 910014D0

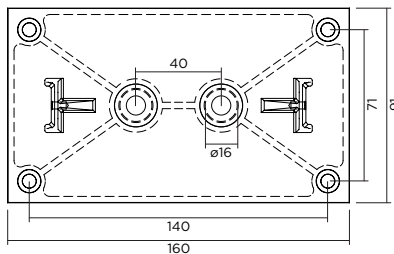
base 800 910018D0

base 1000 910010D0

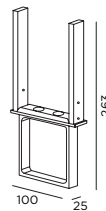
OPTIONAL

concrete ground fixation 90013301

base plate dimensions

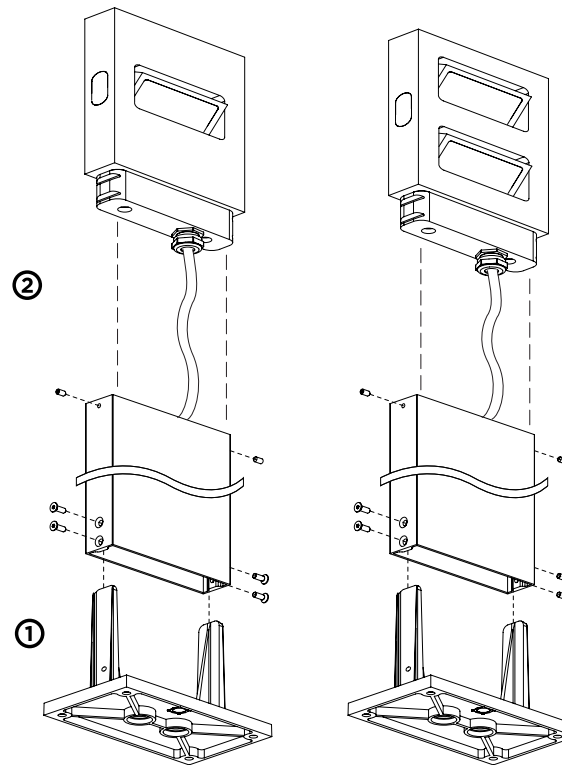


OPTIONAL, (ORDER SEPARATELY)
concrete ground fixation



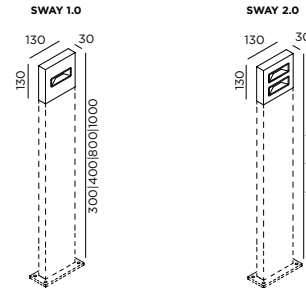
SWAY 1.0

SWAY 2.0



* DO NOT COVER BASE (moss, bark, ...).
Permanent moisture & possible chemical processes from eg.
fertilization might lead in some combinations to a corrosive reaction.

DIMENSIONS

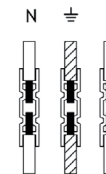


MOUNTING INSTRUCTION

- 1 Remove the base plate
- 2 Fixate the base plate to the ground with screws
Do not cover the base plate.
- 3 Fixate the base fixture to the base plate

POWER CONNECTION

- 4 Connect the wires with the waterproof connections



- 5 Mount the SWAY on the base with the side screws



WEVER & DUCRÉ
LIGHTING

www.weverducre.com

INSTALLATION
INSTRUCTIONS