

SMILE

02-11-2015

1.0

LED 8W | 220-240VAC | 50-60Hz | COB 2-step | incl. PS | phase-cut dim

CE IP65 960° 0,3m

3000K | >80CRI | 480lm

dark grey texture

703554D4

ALWAYS USE

base 300 910013D0

base 400 910014D0

base 800 910018D0

base 1000 910010D0

OPTIONAL

concrete ground fixation 90013301

2.0

LED 8W | 220-240VAC | 50-60Hz | COB 2-step | incl. PS | phase-cut dim

CE IP65 960° 0,3m

3000K | >80CRI | 480lm

dark grey texture

703654D4

ALWAYS USE

base 300 910013D0

base 400 910014D0

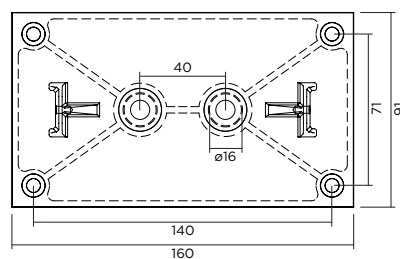
base 800 910018D0

base 1000 910010D0

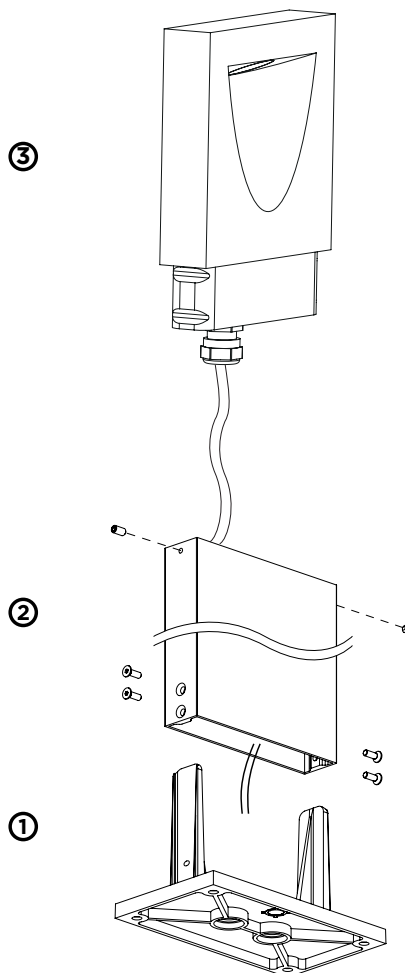
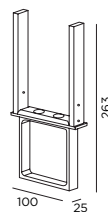
OPTIONAL

concrete ground fixation 90013301

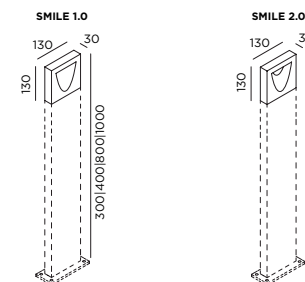
base plate dimensions



OPTIONAL, (ORDER SEPARATELY)
concrete ground fixation



DIMENSIONS

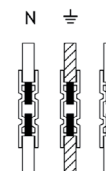


MOUNTING INSTRUCTION

- ① Remove the base plate
- ② Fixate the base plate to the ground with screws
Do not cover the base plate.
- ③ Fixate the base fixture to the base plate

POWER CONNECTION

- ④ Connect the wires with the waterproof connections



- ⑤ Mount the SMILE on the base with the side screws

* DO NOT COVER BASE (moss, bark, ...).
Permanent moisture & possible chemical processes from eg.
fertilization might lead in some combinations to a corrosive reaction.



WEVER & DUCRÉ
LIGHTING

www.weverducre.com

INSTALLATION
INSTRUCTIONS