

# PALOS floor

10-Jun-2019

## 1.0

LED 8W | 220-240VAC | 50-60Hz | COB 3-step | incl. PS | phase-cut dim

CE IP65 0.3m 60 100

3000K | >90CRI | 520lm

dark grey texture

anthracite grey

716374D5

716374A5

## 2.0

LED 2x8W | 220-240VAC | 50-60Hz | COB 3-step | incl. PS | phase-cut dim

CE IP65 0.3m 60 100

3000K | >90CRI | 2x520lm

dark grey texture

anthracite grey

716474D5

716474A5

### ALWAYS USE BASE

base with fixation plate

base 300	910013D0
	910013A0

base 400	910014D0
	910014A0

base 600	910016D0
	910016A0

base 800	910018D0
	910018A0

base 1000	910010D0
	910010A0

base with concrete fixation

base 300	910073D0
	910073A0

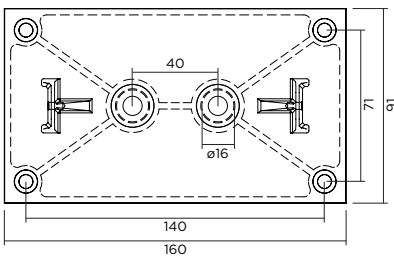
base 400	910074D0
	910074A0

base 600	910076D0
	910076A0

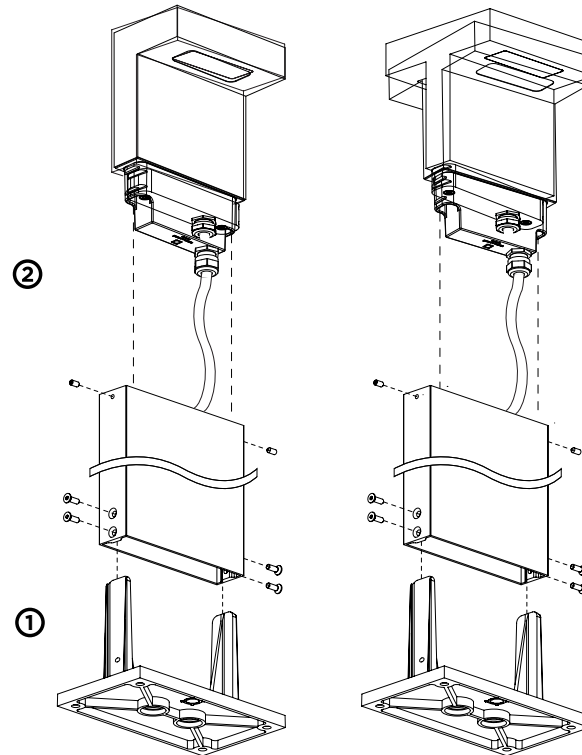
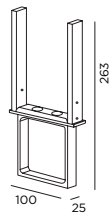
base 800	910078D0
	910078A0

base 1000	910070D0
	910070A0

base plate dimensions

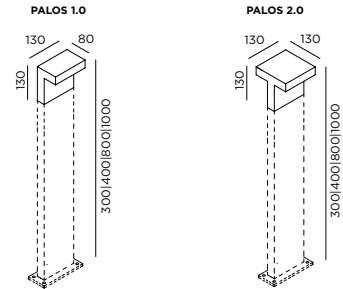


OPTIONAL, (ORDER SEPARATELY)  
concrete ground fixation



\* DO NOT COVER BASE (moss, bark, ...).  
Permanent moisture & possible chemical processes from eg.  
fertilization might lead in some combinations to a corrosive reaction.

## DIMENSIONS



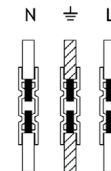
## MOUNTING INSTRUCTION

- 1 Remove the base plate
- 2 Fixate the base plate to the ground with screws  
Do not cover the base plate.

- 3 Fixate the base fixture to the base plate

## POWER CONNECTION

- 4 Connect the wires with the waterproof connections



- 5 Mount the PALOS on the base with the side screws