

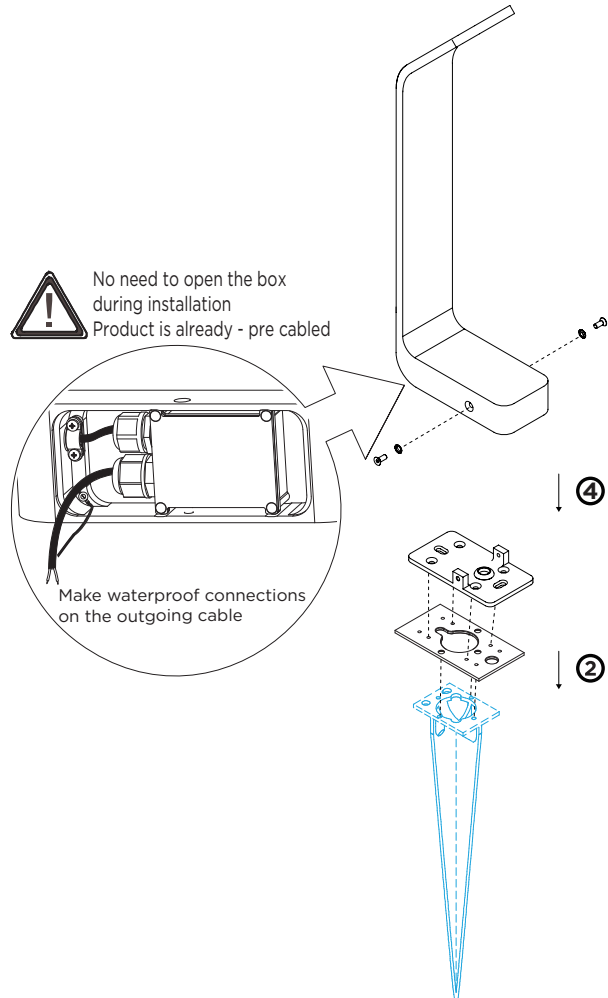
PACE

29-May-2019

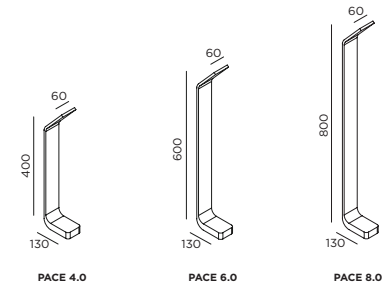
4.0	
LED 8W 220-240VAC 50-60Hz COB 3-step incl. PS phase-cut dim	
CE IP65 60° 10.3m	
3000K >90CRI 420lm	
white texture	723174W5
dark grey texture	723174D5
black texture	723174B5
OPTIONAL groundspike	90013102

6.0	
LED 8W 220-240VAC 50-60Hz COB 3-step incl. PS phase-cut dim	
CE IP65 60° 10.3m	
3000K >90CRI 420lm	
white texture	723274W5
dark grey texture	723274D5
black texture	723274B5
OPTIONAL groundspike	90013102

8.0	
LED 8W 220-240VAC 50-60Hz COB 3-step incl. PS phase-cut dim	
CE IP65 60° 10.3m	
3000K >90CRI 420lm	
white texture	723374W5
dark grey texture	723374D5
black texture	723374B5
OPTIONAL groundspike	90013102



DIMENSIONS

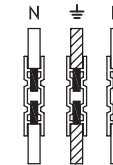


MOUNTING INSTRUCTION

- 1 Remove the mounting plate
- 2 Fix the mounting plate on the ground with screws or mount on the groundspike

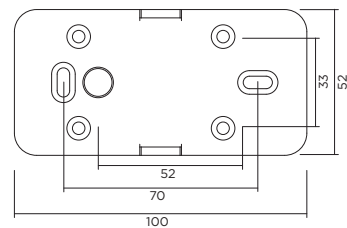
POWER CONNECTION

- 3 Connect the wires with the waterproof connections



- 4 Fix the housing on the mounting plate

mounting plate dimensions



groundspike dimensions

