

# EDGE

12-Apr.-2017

## 2.0

LED 8W | 220-240VAC | 50-60Hz | COB 3-step | incl. PS | phase-cut dim

CE IP65 0,3m

3000K | >80CRI | 450lm  
dark grey texture

721174D4

## 4.0

LED 8W | 220-240VAC | 50-60Hz | COB 3-step | incl. PS | phase-cut dim

CE IP65 0,3m

3000K | >80CRI | 450lm  
dark grey texture

721274D4

## 6.0

LED 8W | 220-240VAC | 50-60Hz | COB 3-step | incl. PS | phase-cut dim

CE IP65 0,3m

3000K | >80CRI | 450lm  
dark grey texture

721474D4

## 8.0

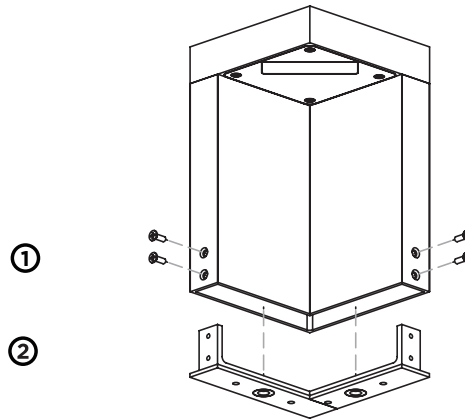
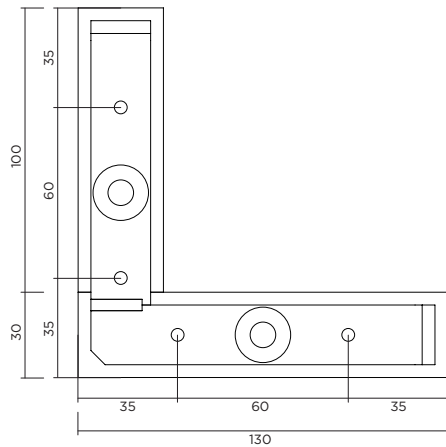
LED 8W | 220-240VAC | 50-60Hz | COB 3-step | incl. PS | phase-cut dim

CE IP65 0,3m

3000K | >80CRI | 450lm  
dark grey texture

721374D4

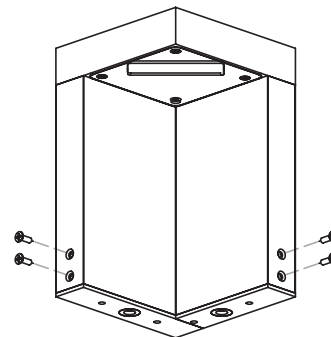
base plate dimensions



①

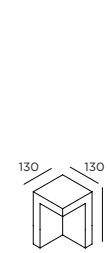
②

④

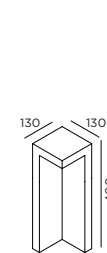


## DIMENSIONS

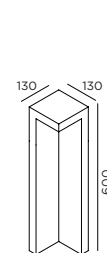
EDGE 2.0



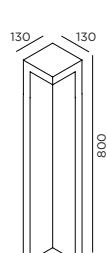
EDGE 4.0



EDGE 6.0



EDGE 8.0



## MOUNTING INSTRUCTION

① Remove the base plate of the EDGE with the side screws

② Attach the base plate on the ground with screws

## ③ POWER CONNECTION

Connect the wires with the waterproof connections



④ Fix the lower part back to the EDGE with the side screws