

6.1 WIRO

A60 max. 60W | E27
220-240VAC | 50-60Hz
varnished steel | lacquered

2.70kg | 0.3m | IP20

shade only

	CODE
	209400V0
	209400B0

OPTIONAL

A60 LED E27 6W dim

	CODE
2200K 315lm	9003E109
2700K 500lm	9003E138

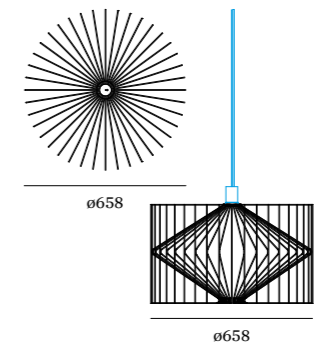
T30-300 LED E27 8W

	CODE
2200K 550lm	9003E130
2700K 550lm	9003E135

ST64 carbon filament E27 15W

	CODE
2200K 50lm	9003E105

more lamps and specs on page 703



6.5 WIRO

A60 max. 60W | E27
220-240VAC | 50-60Hz
varnished steel | lacquered

3.85kg | 0.3m | IP20

shade only

	CODE
	209500V0
	209500B0

OPTIONAL

A60 LED E27 6W dim

	CODE
2200K 315lm	9003E109
2700K 500lm	9003E138

T30-300 LED E27 8W

	CODE
2200K 550lm	9003E130
2700K 550lm	9003E135

T32-300 carbon filament E27 15W

	CODE
2200K 50lm	9003E127

more lamps and specs on page 703



ALWAYS USE

Suspension single

connector set for one shade
round ceiling base | with steel wire

	CODE
	2.6m 90015175
	6.0m 90015176

more information on page 91